

■ **DATA SHEET MONITOR M1**
WITH REMOTE-CONTROLLED
MULTI-PURPOSE NOZZLE (MPN-DC).

■ **1. GENERAL TECHNICAL DATA.**

Type series	M1
Max. water flow rate	2000 l/min
Connection	Thread BSP G 2½"
Max. op. pressure	16 bar



■ 2. SPECIFIC DATA OF THE DRIVE TYPE.

Direct-current drive	M1
Corresponding nozzle	MPN-DC
Swivelling range	Horizontally $\pm 165^\circ$ / vertically -20° up to $+80^\circ$
Swivelling speed	Horizontally $11^\circ/\text{s}$ // vertically $11^\circ/\text{s}$
Operating voltage	24 V DC
Current consumption	4 A
Protection class	IP 65
Operating temperature	-25°C to $+60^\circ\text{C}$
Position indication	4 – 20 mA

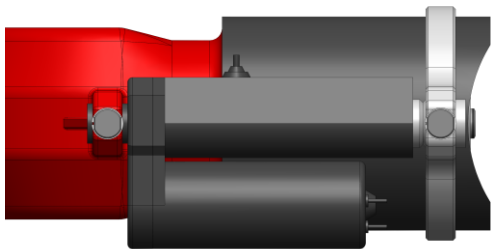
■ 3. ELECTRICAL DATA OF THE NOZZLE.

Direct-current drive	MPN-DC
Operating voltage	24 V DC
Current consumption	1.5 A
Protection class	IP 65

4. REMOTE-CONTROLLED MULTI PURPOSE NOZZLE (MPN-DC).

The multi-purpose nozzle (“Multi Purpose Nozzle” = MPN) is used for the discharge of water or premix at a low foam expansion rate. The manual stepless adjustment between hollow jet and spray jet is possible also during operation, using the 24 V direct-current linear drive (-DC). The maximum spray angle is 100°.

The nozzle is factory-set to a fixed extinguishing agent flow rate in accordance with the available system pressure. If requested, this setting can be adjusted later on.



5. REACH AND REACTION FORCE.

Using the app at www.firedos.com/monitorapp, you can determine the reach curve and the reaction forces depending on your operating conditions.

INPUT PARAMETERS

MONITOR TYPE

NOZZLE TYPE

Extinguishing agent flow rate

Pressure

Angle

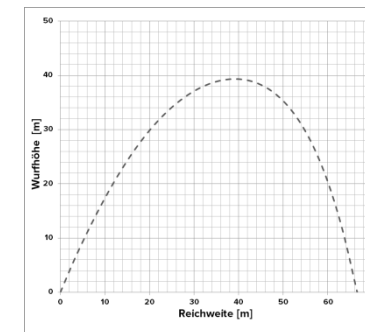
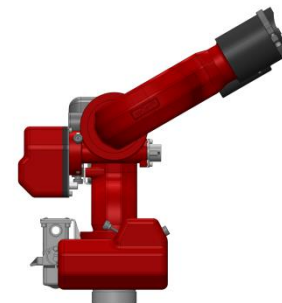
Foam

OUTPUT PARAMETERS

Reach

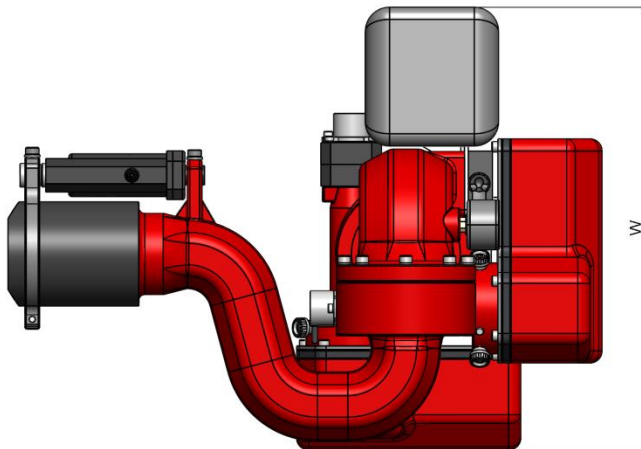
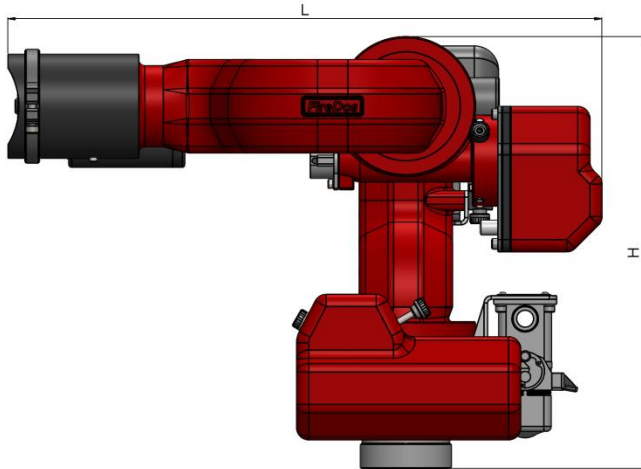
Throw height

Reaction force



PDF

■ 6. DIMENSIONS.



	Length L	Width W	Height H	Weight
M1 / MPN-DC	490 mm	380 mm	360 mm	15 kg

■ 7. MATERIALS.

- Cast aluminium AlSi7Mg 0.3 with HC and powder coating
- AlMgSi1 with HC and powder coating
- Stainless steel V2A
- Stainless steel V4A
- NBR

■ 8. SPECIAL EQUIPMENT OPTIONS.

- Controls
- Swivelling unit to move between work and rest position

For more details, please refer to the separate "Special Equipment Options" document.

■ 9. MANUFACTURER.

FireDos GmbH, Auf der Kaulbahn 6, 61200 Wölfersheim, Germany
Phone +49 (0) 6036 9796-0, Email: info@firedos.de

We reserve the right to make modifications at any time.
All figures are approximate and subject to the particular version/equipment.