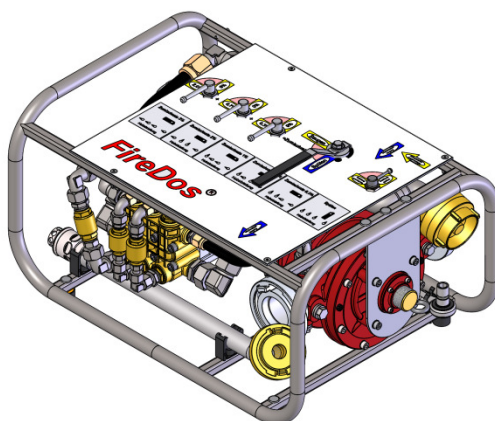


■ DATA SHEET PROPORTIONER FD-DZ5 FOR MOBILE USE.



■ 1. TECHNICAL DATA.

| | | |
|-----------------------------------|----------------------------|-----------------|
| Proportioning rate | 1 / (0.7) / (0.3) % | 3 / (2) / (1) % |
| Flow directions of water motor | Horizontal: "left → right" | |
| Min. water flow rate ¹ | 60 l/min | |
| Max. water flow rate | 500 l/min | |
| Operating temperature | 5 °C – 50 °C | |
| Max. operating pressure | 16 bar | |
| Weight ² | 42 kg | 44 kg |

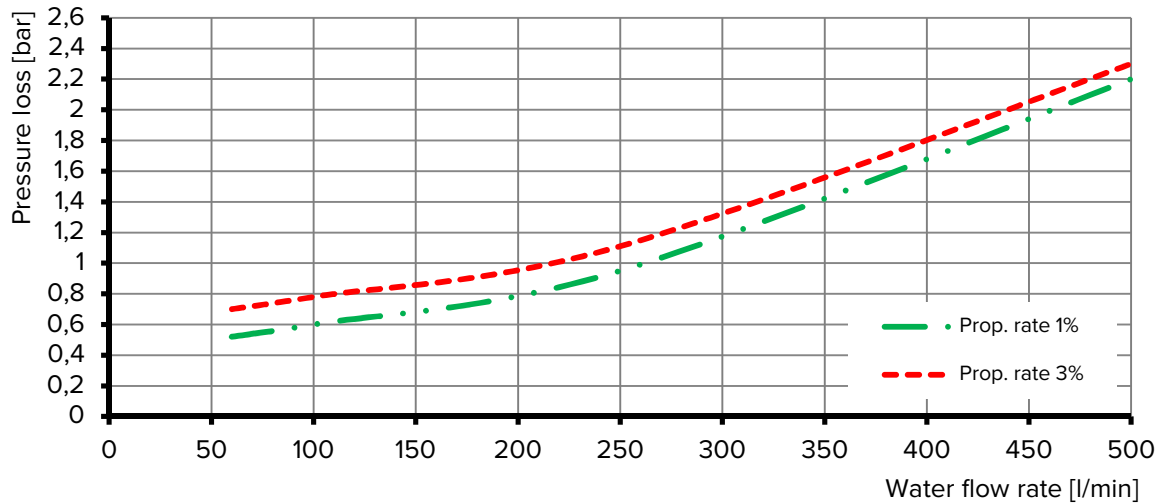
1) Proportioning starts even at a lower water flow rate. The nominal proportioning rate is achieved when reaching the specified figure.

2) Weight indication is based upon a proportioner without accessories. Further accessories installed at the proportioner will increase the specified weight. Weight indications do not consider extinguishing water or foam agent.



■ 2. PRESSURE LOSS.

The actual pressure loss may slightly vary, depending on the operating conditions.

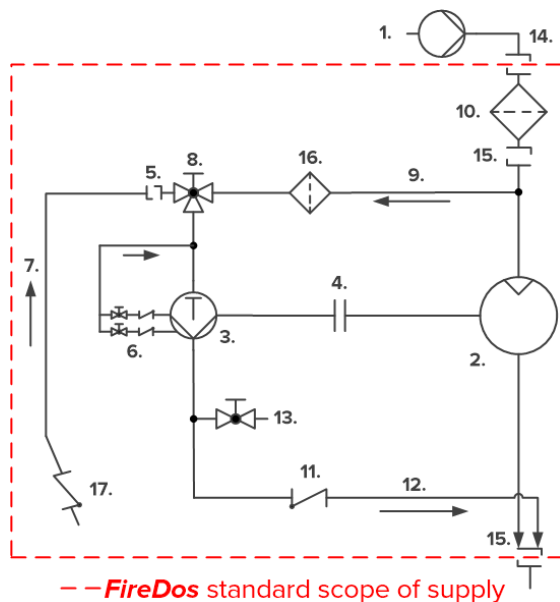


■ 3. MATERIALS.

| | |
|--------------------|---|
| Water motor | Aluminium casting G-AlSi7Mg HC-coated, AlMgSi1 anodised, stainless steel V2A, POM, PVDF, NBR, FPM |
| Prop. pump | Stainless steel V4A, POM, FPM, ceramics, aluminium bronze |
| Pipework | Stainless steel V2A and V4A, PTFE, FPM, nickel-plated brass |

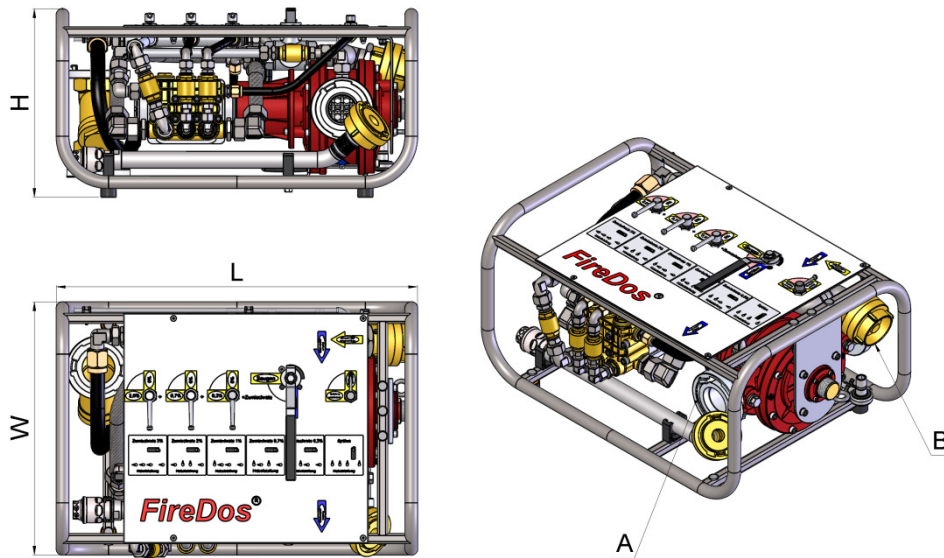
■ 4. FLOW DIAGRAM.

Proportioning rate 1 / (0.7) / (0.3) % // 3 / (2) / (1) %



- | | |
|--|--|
| 1. Extinguishing water supply | 10. Filter in the extinguishing water line |
| 2. Water motor | 11. Check valve in the proportioning line |
| 3. Proportioning pump | 12. Pressure/proportioning line |
| 4. Coupling | 13. Air bleed valve |
| 5. Quick coupling at suction line | 14. Extinguishing water line |
| 6. Cylinder cut-off | 15. Quick coupling at water motor |
| 7. Suction line | 16. Filter in the flushing line |
| 8. 3-way ball valve "Flushing/Priming" | 17. Suction lance with check valve |
| 9. Flushing line | |

■ 5. EXAMPLE FIGURE / DIMENSIONS.



| Proportioning rate | 1 / (0.7) / (0.3) % | 3 / (2) / (1) % |
|---------------------------|---------------------|-----------------|
| Connection water motor A | Storz 52=C-DS | |
| Connection suction line B | Storz 25=D-DS | |
| Length L | 590 mm | |
| Height H | 380 mm | |
| Width W | 391 mm | |

All figures are approximate only and depend on the particular version/equipment options.

■ 6. MANUFACTURER.

FireDos GmbH, Auf der Kaulbahn 6, 61200 Wölfersheim, Germany
Phone +49 (0) 6036 9796-0, Email: info@firedos.de

We reserve the right to make modifications at any time.