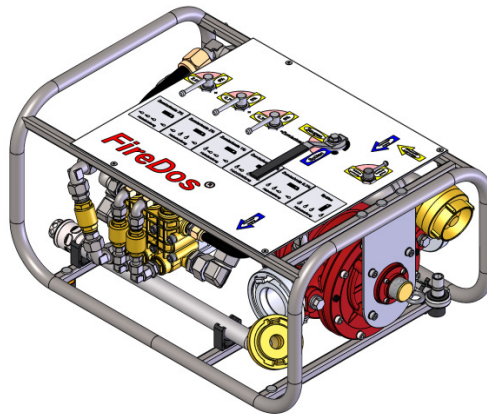


■ DATA SHEET PROPORTIONER FD-DZ10 FOR MOBILE USE.



■ 1. TECHNICAL DATA.

Proportioning rate	1 / (0.7) / (0.3) %	3 / (2) / (1) %	3 / (2) / (1) / (0.7) / (0.3) %
Flow directions of water motor	Horizontal: "left → right"		
Min. water flow rate¹	100 l/min	100 l/min	120 l/min
Max. water flow rate	1000 l/min		
Operating temperature	5 °C – 50 °C		
Max. operating pressure	16 bar		
Weight²	41 kg	62 kg	66 kg

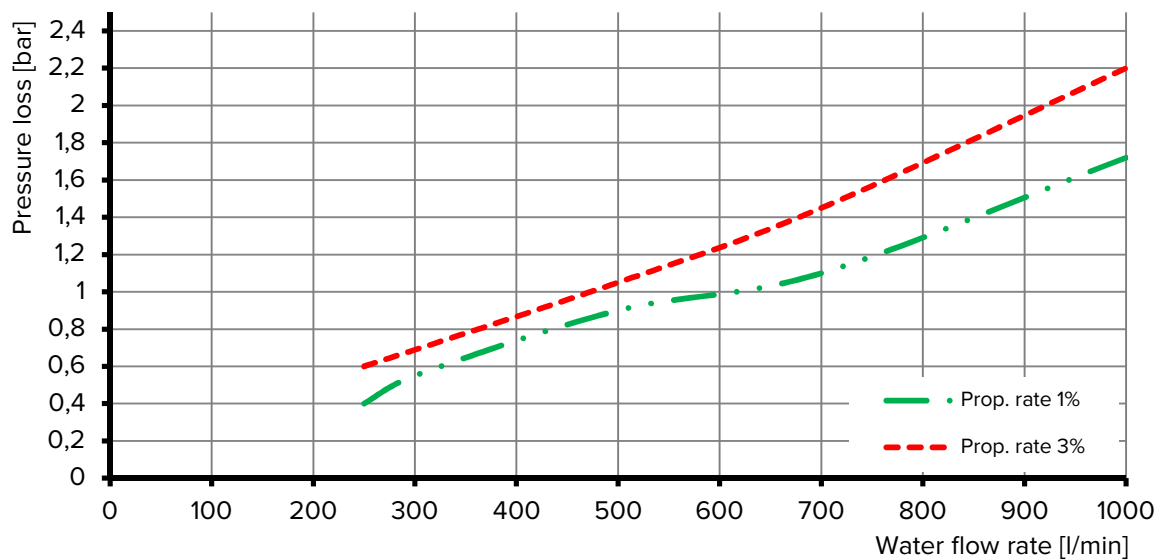
1) Proportioning starts even at a lower water flow rate. The nominal proportioning rate is achieved when reaching the specified figure.

2) Weight indication is based upon a proportioner without accessories. Further accessories installed at the proportioner will increase the specified weight. Weight indications do not consider extinguishing water or foam agent.



■ 2. PRESSURE LOSS.

The actual pressure loss may slightly vary, depending on the operating conditions.



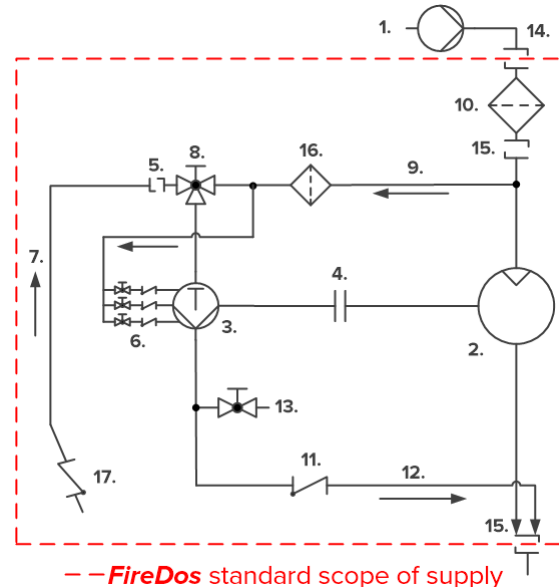
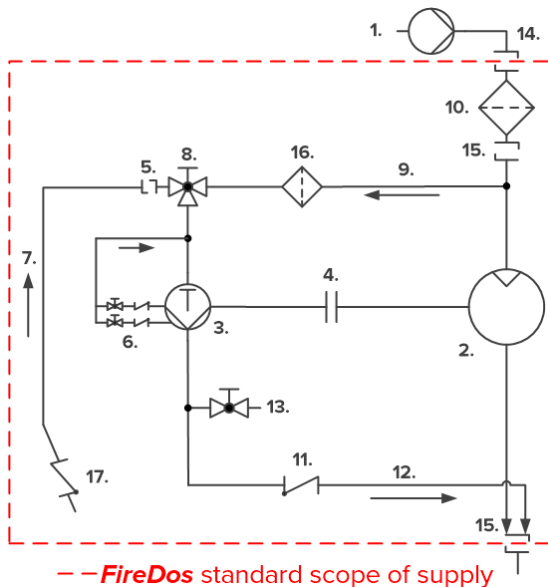
■ 3. MATERIALS.

Water motor	Aluminium casting G-ALSi7Mg HC-coated, AlMgSi1 anodised, stainless steel V2A, POM, PVDF, NBR, FPM
Prop. pump	Stainless steel V4A, POM, FPM, ceramics, aluminium bronze
Pipework	Stainless steel V2A and V4A, PTFE, FPM, nickel-plated brass

■ 4. FLOW DIAGRAM.

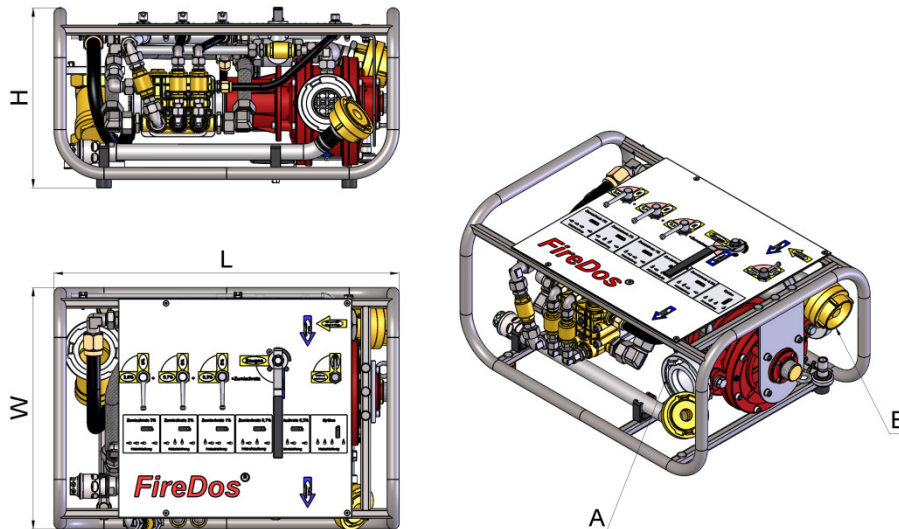
Proportioning rate 1 / (0.7) / (0.3) % // 3 / (2) / (1) %

3 / (2) / (1) / (0.7) / (0.3) %



- | | |
|--|--|
| 1. Extinguishing water supply | 10. Filter in the extinguishing water line |
| 2. Water motor | 11. Check valve in the proportioning line |
| 3. Proportioning pump | 12. Pressure/proportioning line |
| 4. Coupling | 13. Air bleed valve |
| 5. Quick coupling at suction line | 14. Extinguishing water line |
| 6. Cylinder cut-off | 15. Quick coupling at water motor |
| 7. Suction line | 16. Filter in the flushing line |
| 8. 3-way ball valve "Flushing/Priming" | 17. Suction lance with check valve |
| 9. Flushing line | |

5. EXAMPLE FIGURE / DIMENSIONS.



Proportioning rate	1 / (0.7) / (0.3) %	3 / (2) / (1) %	3 / (2) / (1) / (0.7) / (0.3) %
Connection water motor A	Storz 75=B-DS	Storz 75=B-DS	Storz 75=B-DS
Connection suction line B	Storz 25=D-DS	Storz 52=C-DS	Storz 52=C-DS
Length L	590 mm	724 mm	724 mm
Height H	379 mm	378 mm	378 mm
Width W	391 mm	507 mm	507 mm

All figures are approximate only and depend on the particular version/equipment options.

6. MANUFACTURER.

FireDos GmbH, Auf der Kaulbahn 6, 61200 Wölfersheim, Germany
Phone +49 (0) 6036 9796-0, Email: info@firedos.de

We reserve the right to make modifications at any time.