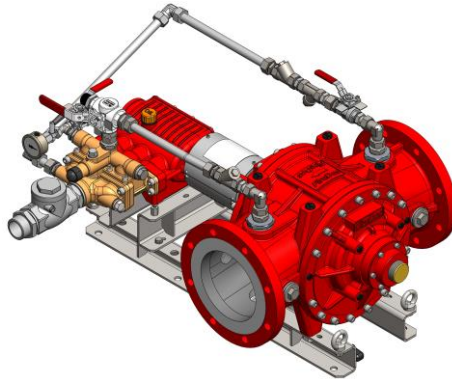

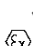
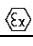


## ■ DATA SHEET PROPORTIONER FD6000 GEN III FOR STATIONARY EXTINGUISHING SYSTEMS



### ■ 1. TECHNICAL DATA

Type	FD6000/1-S	FD6000/3-S
Proportioning rate	1 %	3 %
Approvals	FM Approval PR452158	
Flow directions of water motor	Horizontal: "left → right" or "right → left"	
	Vertical: "top → bottom" or "bottom → top"	
Min. water flow rate <sup>1)</sup>	87 gpm	92 gpm
Water flow rate <sup>2)</sup> 	129 gpm – 1585 gpm	145 gpm – 1585 gpm
Operating temperature <sup>3)</sup>	41 °F – 122 °F (standard version)	
	41 °F – 176 °F (High-Temp version) <sup>x)</sup>	
Storage temperature	-4 °F – 176 °F	
Operating pressure	72 psi – 232 psi	
Weight <sup>4)</sup>		
Freshwater version	364 lb.	518 lb.
Seawater version <sup>x)</sup>	705 lb.	860 lb.
ATEX classification <sup>x)</sup> for +5 °C ≤ T <sub>a</sub> ≤ +60 °C	 II 2G Ex h IIC T4 Gb  II 2D Ex h IIIC T130 °C Gb	

1) The nominal proportioning rate is achieved when reaching the specified minimum figure. Indication for proportioning of fluid Newtonian foam agents at operating pressure of 72 psi. For more detailed information, refer to page 2, item 3. "Minimum water flow rate".

2) For information regarding FM Approved data, please refer to [www.approvalguide.com](http://www.approvalguide.com).

3) Operating temp. is the max. ambient and medium (foam and extinguishing water) temperature. Max. foam agent temp. is generally limited to 122 °F.

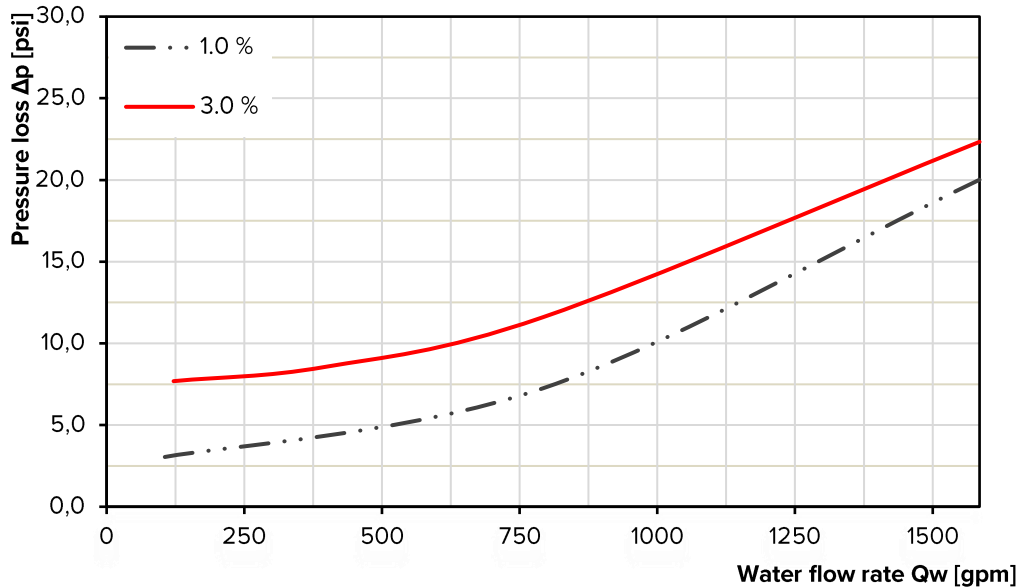
4) Weight indications are based upon the standard version in dry condition. Special versions will differ.

X) Optional equipment.



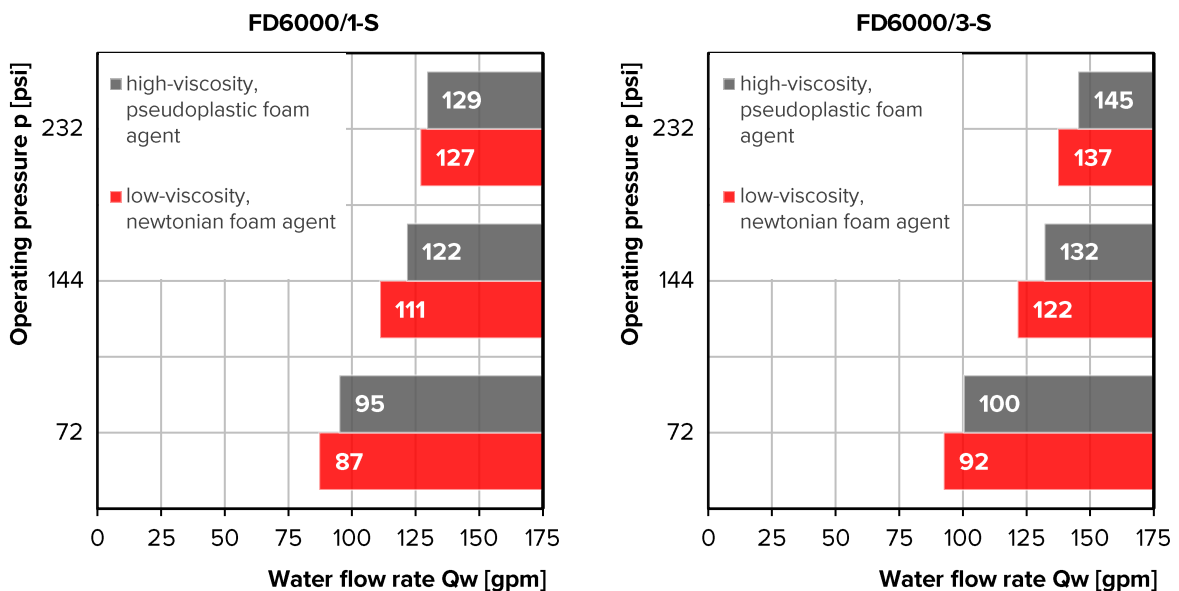
## 2. PRESSURE LOSS

Indication valid for operating pressure of 145 psi. For more information on different system conditions, please contact us.



## 3. MINIMUM WATER FLOW RATE

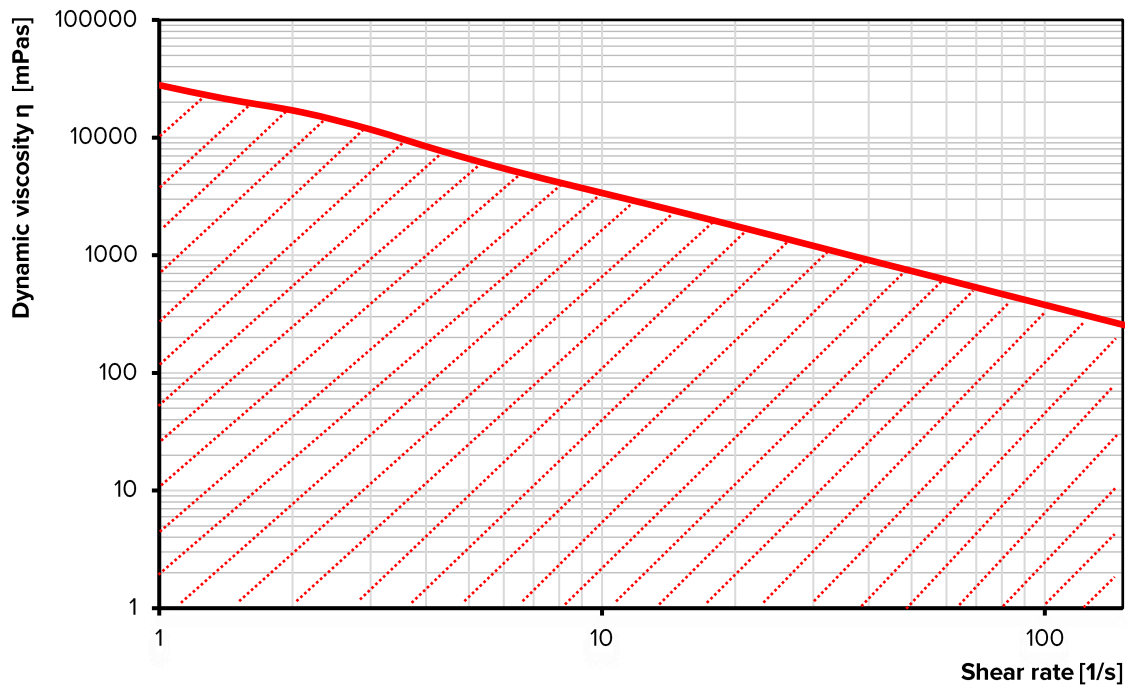
The following diagrams show the effect of the operating pressure and foam agent viscosity on the minimum water flow rate.



Comment: The values specified for the minimum extinguishing water flow rate increase by approx. 35% in the high-temperature version. The specified figures apply to the foam agent viscosity range stated in paragraph 4 only.

## 4. FOAM AGENT VISCOSITY

**FireDos** proportioners are suitable for all foam agents available on the market. For reference regarding units with an FM Approval, please find the corresponding/associated range of dynamic viscosity below ([www.approvalguide.com](http://www.approvalguide.com)). Contact us if the dynamic viscosity of your foam agent is higher than the values in the diagram. **Do not hesitate to request our support for the correct dimensioning of your suction line.**

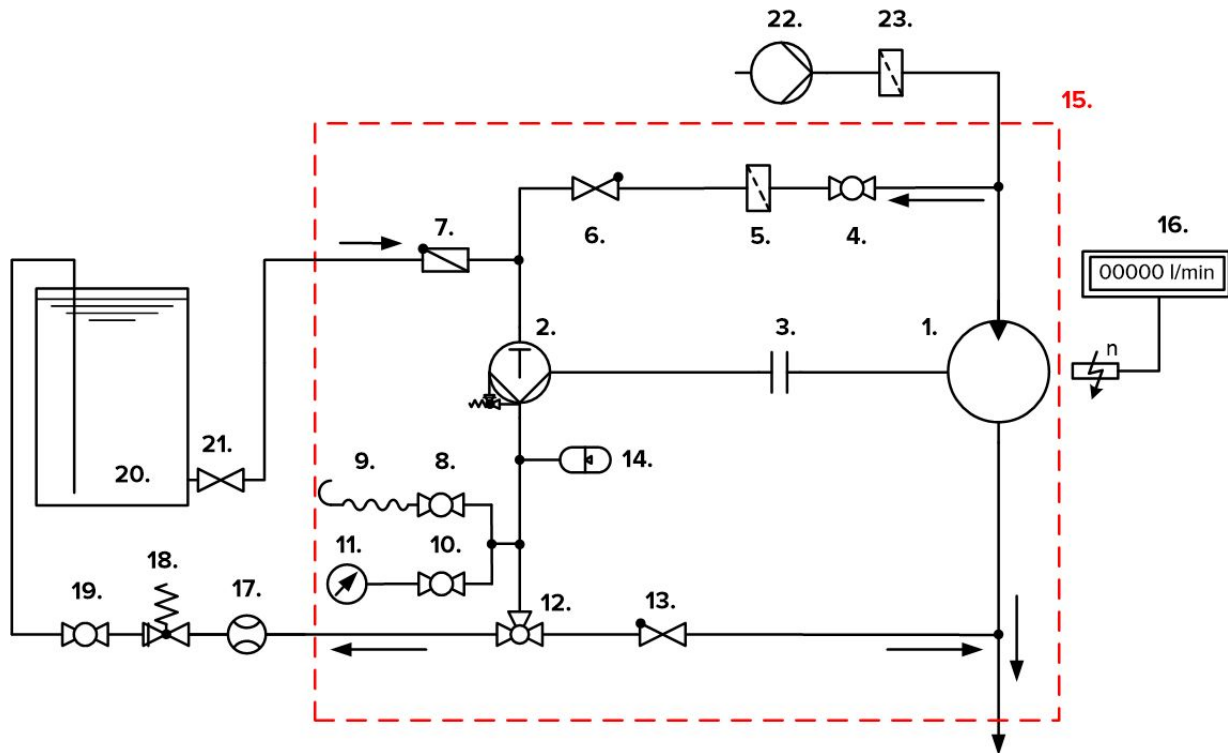


## 5. MATERIALS

	Freshwater version	Seawater version
<b>Water motor</b> <sup>4)</sup>	Cast Aluminium G-AlSi7Mg HC-coated, AlMgSi1 HC-PTFE-coated, stainless steel 316 / 316Ti, POM, PVDF, NBR, FKM	Cast Bronze G-CuSn10, stainless steel 316 / 316Ti, Aluminium-Bronze CuAl10Fe5Ni5-C-GC, POM, PVDF, NBR, FKM
<b>Proportioning pump</b> <sup>4)</sup>	Stainless steel 316 / SS316Ti, POM, FKM, Aluminium oxide ceramic Al2O3, Aluminium-Bronze CuAl10Ni5Fe5-C-GC	
<b>Pipework</b> <sup>4)</sup>	Stainless steel 316 / CF8M / SS316Ti, PTFE,	
<b>Support frame</b>	Stainless steel 304 / 316	

<sup>4)</sup> media-exposed materials

## ■ 6. FLOW DIAGRAM

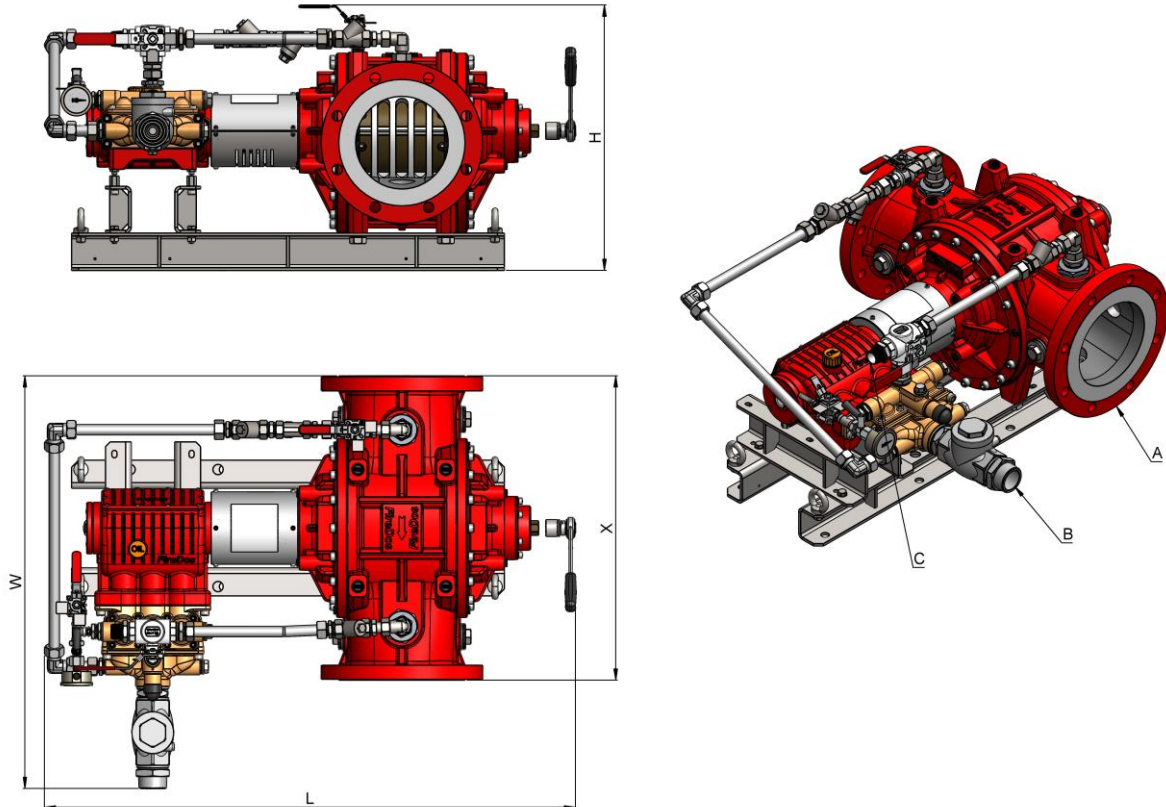


- |  |   |
|--|---|
| 1. Water motor                                 | 13. Check valve in the proportioning line                   |
| 2. Proportioning pump                          | 14. Pulsation damper *)                                     |
| 3. Coupling                                    | 15. Standard scope of supply of <b>FireDos</b> proportioner |
| 4. 2-way ball valve "Flushing/Priming"         | 16. Revolution counter with flow rate display x)            |
| 5. Filter in the flushing line                 | 17. Flow meter for return line x)                           |
| 6. Check valve in the flushing line            | 18. Pressure retention valve for return line x)             |
| 7. Non-return flap in the suction line         | 19. 2-way ball valve in return line x)                      |
| 8. Air bleed valve                             | 20. Foam agent supply                                       |
| 9. Air bleed hose                              | 21. Shut-off valve in the suction line                      |
| 10. Shut-off valve pressure gauge              | 22. Extinguishing water supply                              |
| 11. Pressure gauge                             | 23. Water filter  |
| 12. 3-way ball valve "Returning/Proportioning" |   |

\*) 3% proportioning rate only

x) Optional equipment

## 7. EXAMPLE FIGURE / DIMENSIONS



Type	FD6000/1-S	FD6000/3-S
Proportioning rate	1 %	3 %
Connection water motor A	flange ASME B16.5, 8" Class 150	
Installation length water motor X <sup>5)</sup>	25.6 in.	
Connection suction line B	2" male NPT	ASME B16.5, 2.1/2" Class 150
Connection return line C	1" male NPT	1.1/2" male NPT
Length L <sup>5)</sup>	44.5 in.	49.4 in.
Width W <sup>5)</sup>	34.7 in.	41.1 in.
Height H <sup>5)</sup>	22.4 in.	24.2 in.

All figures are approximate only and depend on the particular version/equipment options.

5) Further accessories to the proportioner may require more installation space

Please allow sufficient accessibility of the proportioner for maintenance work. For assistance to ensure sufficient accessibility, please refer to our planning manual for proportioners.

## 8. MANUFACTURER

**FireDos** GmbH, Auf der Kaulbahn 6, 61200 Woelfersheim, Germany  
Phone +49 (0) 6036 9796-0, Email: info@firedos.de

We reserve the right to make modifications at any time.