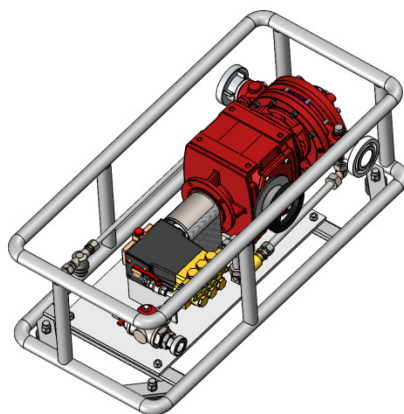


■ DATA SHEET PROPORTIONER FD500 FOR MOBILE USE.



■ 1. TECHNICAL DATA.

Proportioning rate	0.05 – 0.5%	0.1 – 1%	0.3 – 3%	0.6 – 6%
Flow directions of water motor	Horizontal: "left → right"			
Min. water flow rate ¹	60 l/min	80 l/min	80 l/min	80 l/min
Max. water flow rate	500 l/min			
Operating temperature	5 °C – 50 °C			
Max. operating pressure	16 bar			
Weight ²	60 kg	65 kg	75 kg	68 kg

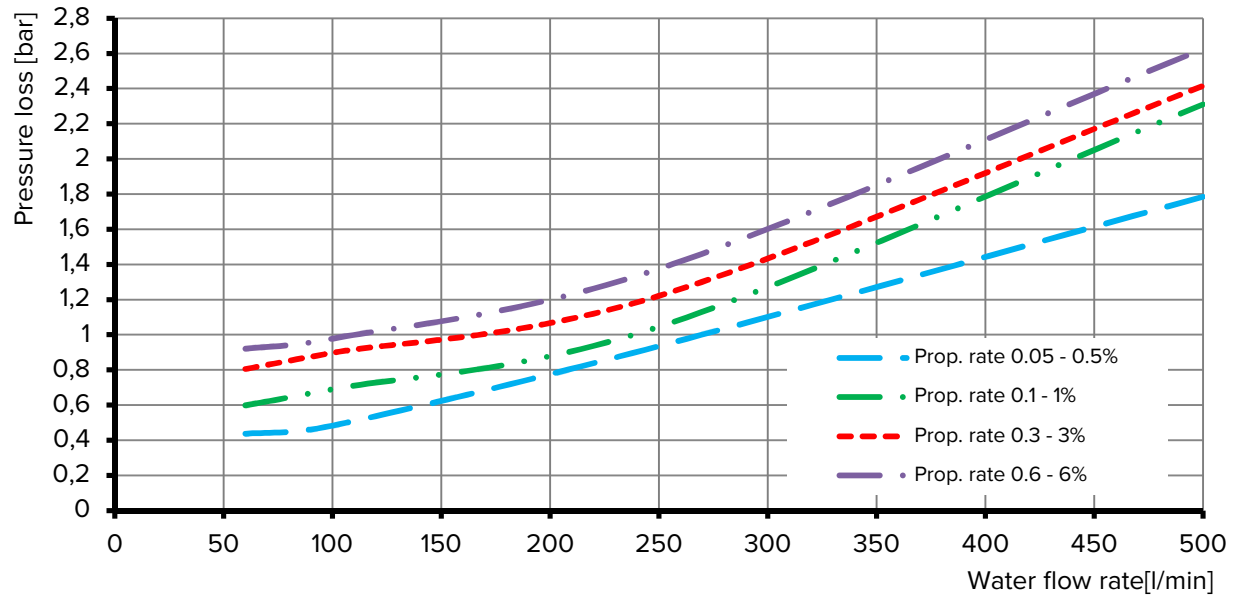
1) Proportioning starts even at a lower water flow rate. The nominal proportioning rate is achieved when reaching the specified figure.

2) Weight indication is based upon a proportioner without accessories. Further accessories installed at the proportioner will increase the specified weight. Weight indications do not consider extinguishing water or foam agent.



■ 2. PRESSURE LOSS.

The actual pressure loss may slightly vary, depending on the operating conditions.

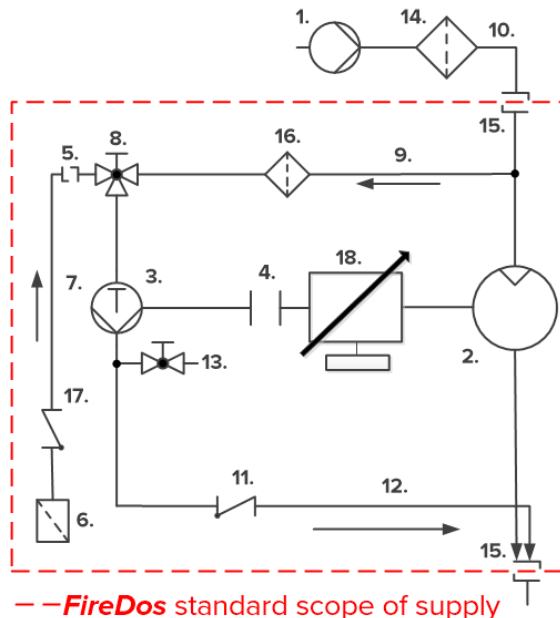


■ 3. MATERIALS.

Water motor	Aluminium casting G-ALSi7Mg HC-coated, AlMgSi1 anodised, stainless steel V2A, POM, PVDF, NBR, FPM
Prop. pump	Stainless steel V4A, POM, FPM, ceramics, aluminium bronze
Pipework	Stainless steel V2A and V4A, PTFE, FPM, nickel-plated brass

■ 4. FLOW DIAGRAM.

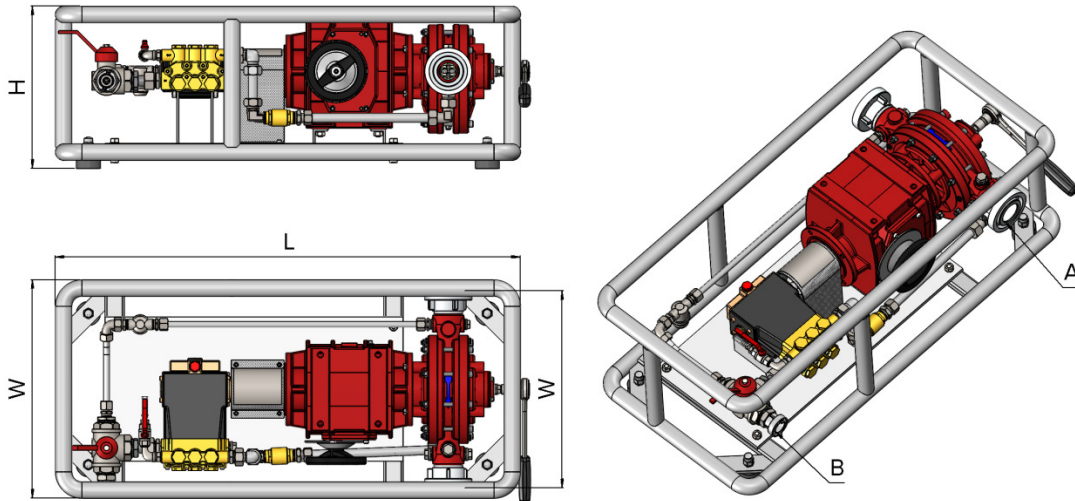
Proportioning rate 0.05 – 0.5% / 0.1 – 1% / 0.3 – 3% or 0.6 – 6%



-- FireDos standard scope of supply

- | | |
|--|--|
| 1. Extinguishing water supply | 10. Extinguishing water line |
| 2. Water motor | 11. Check valve in the proportioning line |
| 3. Proportioning pump | 12. Pressure/proportioning line |
| 4. Coupling | 13. Air bleed valve |
| 5. Quick coupling at suction line | 14. Filter in the extinguishing water line |
| 6. Foot filter | 15. Quick coupling at water motor |
| 7. Suction line | 16. Filter in the flushing line |
| 8. 3-way ball valve "Flushing/Priming" | 17. Foot valve |
| 9. Flushing line | 18. Control gear |

■ 5. EXAMPLE FIGURE / DIMENSIONS.



Proportioning rate	0.05 – 0.5%	0.1 – 1%	0.3 – 3%	0.6 – 6%
Connection water motor A	Optionally: Storz 52=C-DS Thread 2" male thread, 1½" female thread BSP			
Connection suction line B	Storz 25=D-DS	Storz 25=D-DS	Storz 52=C-DS	Storz 52=C-DS
Length L ³	970 mm	970 mm	970 mm	970 mm
Height H ³	350 mm	350 mm	350 mm	380 mm
Width W ³	470 mm	450 mm	475 mm	590 mm
Installation length in the pipework X ⁴	Storz 410 mm Thread 360 mm			

All figures are approximate only and depend on the particular version/equipment options.

3) Based upon a proportioner without accessories. Further accessories to the proportioner may increase the space required for installation.

4) Installation length depending on connection of water motor A.

Please allow sufficient accessibility of the proportioner for maintenance work.

■ 6. MANUFACTURER.

FireDos GmbH, Auf der Kaulbahn 6, 61200 Wölfersheim, Germany
Phone +49 (0) 6036 9796-0, Email: info@firedos.de

We reserve the right to make modifications at any time.