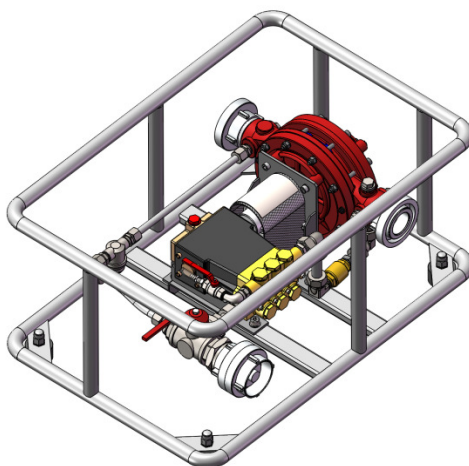


## ■ DATA SHEET PROPORTIONER FD500 FOR MOBILE USE.



### ■ 1. TECHNICAL DATA.

Proportioning rate	0.5%	1%	3%	6%
Flow directions of water motor	Horizontal: "left → right"			
Min. water flow rate <sup>1</sup>	60 l/min	60 l/min	60 l/min	70 l/min
Max. water flow rate	500 l/min			
Operating temperature	5 °C – 50 °C			
Max. operating pressure	16 bar			
Weight <sup>2</sup>	40 kg	45 kg	45 kg	46 kg

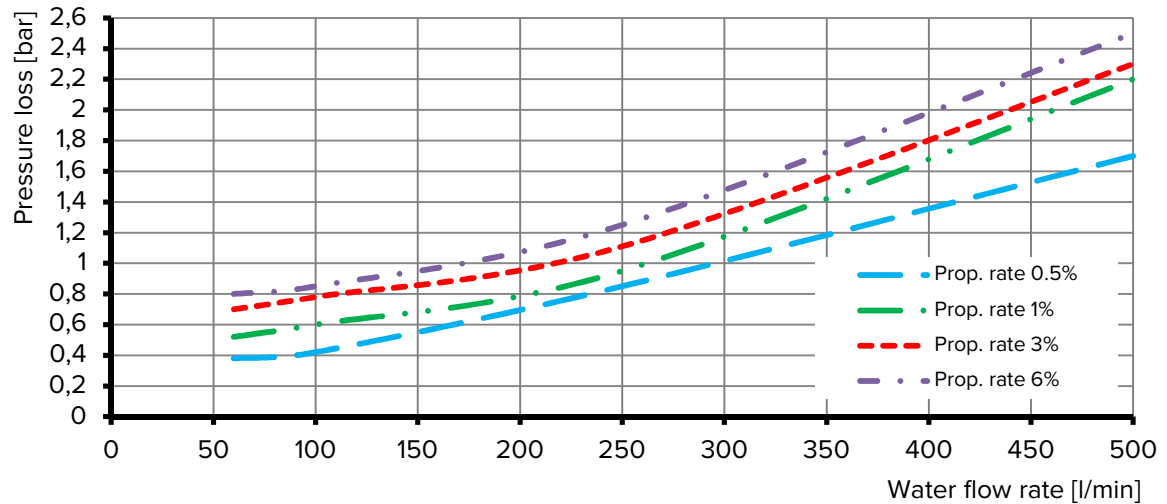
1) Proportioning starts even at a lower water flow rate. The nominal proportioning rate is achieved when reaching the specified figure.

2) Weight indication is based upon a proportioner without accessories. Further accessories installed at the proportioner will increase the specified weight. Weight indications do not consider extinguishing water or foam agent.



## ■ 2. PRESSURE LOSS.

The actual pressure loss may slightly vary, depending on the operating conditions.

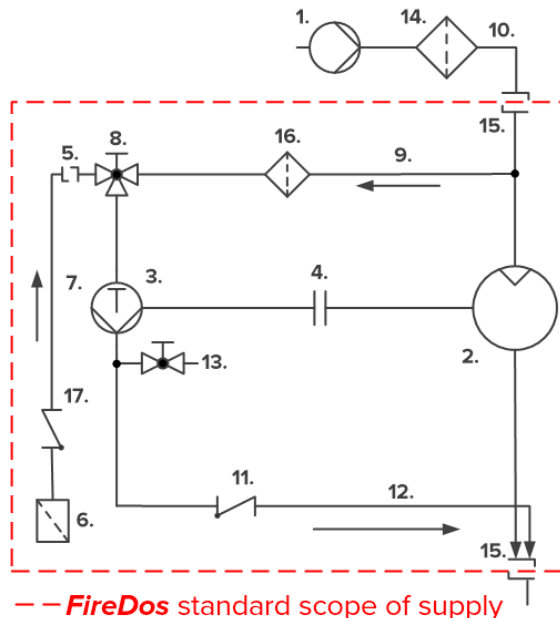


## ■ 3. MATERIALS.

<b>Water motor</b>	Aluminium casting G-ALSi7Mg HC-coated, AlMgSi1 anodised, stainless steel V2A, POM, PVDF, NBR, FPM
<b>Prop. pump</b>	Stainless steel V4A, POM, FPM, ceramics, aluminium bronze
<b>Pipework</b>	Stainless steel V2A and V4A, PTFE, FPM, nickel-plated brass

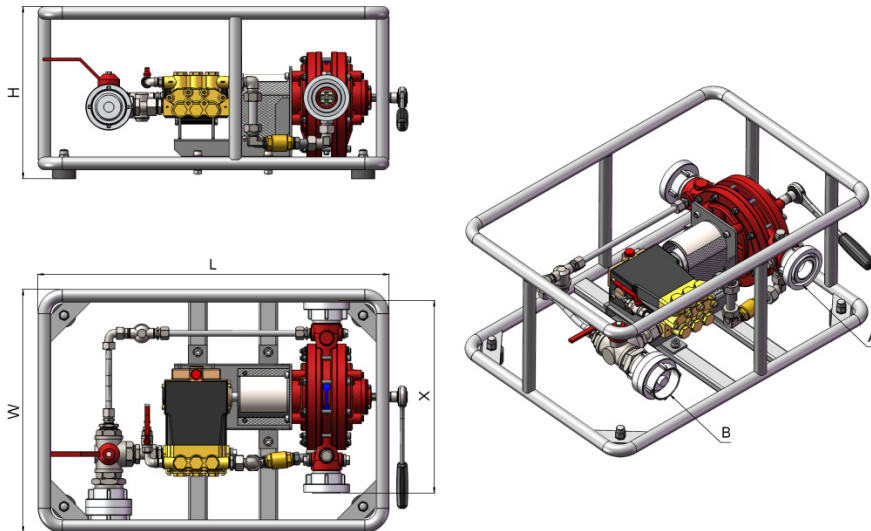
## ■ 4. FLOW DIAGRAM.

Proportioning rate 0.5% / 1% / 3% or 6%



- |  |  |
|--|--|
| 1. Extinguishing water supply          | 10. Extinguishing water line               |
| 2. Water motor                         | 11. Check valve in the proportioning line  |
| 3. Proportioning pump                  | 12. Pressure/proportioning line            |
| 4. Coupling                            | 13. Air bleed valve                        |
| 5. Quick coupling at suction line      | 14. Filter in the extinguishing water line |
| 6. Foot filter                         | 15. Quick coupling at water motor          |
| 7. Suction line                        | 16. Filter in the flushing line            |
| 8. 3-way ball valve "Flushing/Priming" | 17. Foot valve                             |
| 9. Flushing line                       |  |

## ■ 5. EXAMPLE FIGURE / DIMENSIONS.



Proportioning rate	0.5%	1%	3%	6%
Connection water motor A	Optionally: Storz 52=C-DS Thread 2" male thread, 1 1/2" female thread BSP			
Connection suction line B	Storz 25=D-DS	Storz 25=D-DS	Storz 52=C-DS	Storz 52=C-DS
Length L <sup>3</sup>	750 mm	750 mm	750 mm	800 mm
Height H <sup>3</sup>	350 mm	350 mm	370 mm	380 mm
Width W <sup>3</sup>	470 mm	470 mm	520 mm	590 mm
Installation length in the pipework X <sup>4</sup>	Storz 410 mm Thread 360 mm			

All figures are approximate only and depend on the particular version/equipment options.

1) Further accessories to the proportioner may increase the space required for installation.

2) Installation length depending on connection of water motor A.

## ■ 6. MANUFACTURER.

**FireDos** GmbH, Auf der Kaulbahn 6, 61200 Wölfersheim, Germany  
Phone +49 (0) 6036 9796-0, Email: info@firedos.de

We reserve the right to make modifications at any time.