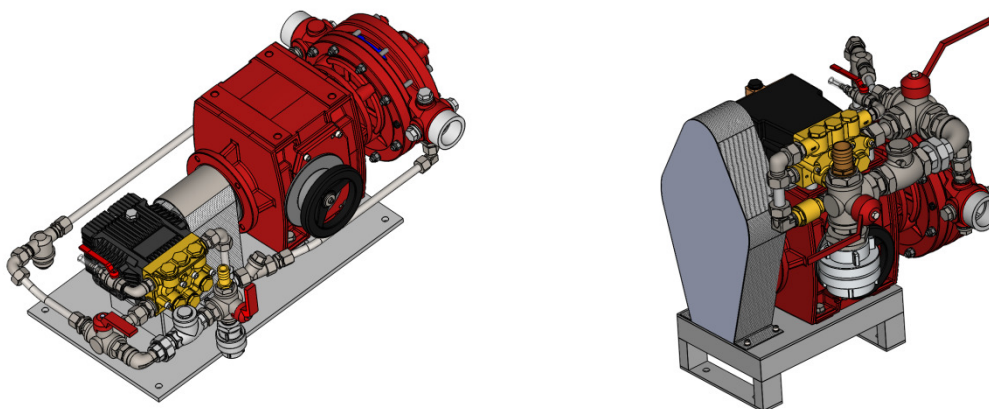


## ■ DATA SHEET PROPORTIONER FD500 FOR FIRE TRUCKS.



### ■ 1. TECHNICAL DATA.

Proportioning rate	0.05 – 0.5%	0.1 – 1%	0.3 – 3%	0.6 – 6%
Flow directions of water motor	Horizontal: “left → right” or “right → left” Vertical: “top → bottom” or “bottom → top”			
Min. water flow rate <sup>1</sup>	60 l/min	80 l/min	80 l/min	80 l/min
Max. water flow rate	500 l/min			
Operating temperature	5 °C – 50 °C			
Max. operating pressure	16 bar			
Weight <sup>2</sup>				
Stretched version	44 kg	52 kg	65 kg	69 kg
Compact version	44 kg	52 kg	65 kg	69 kg

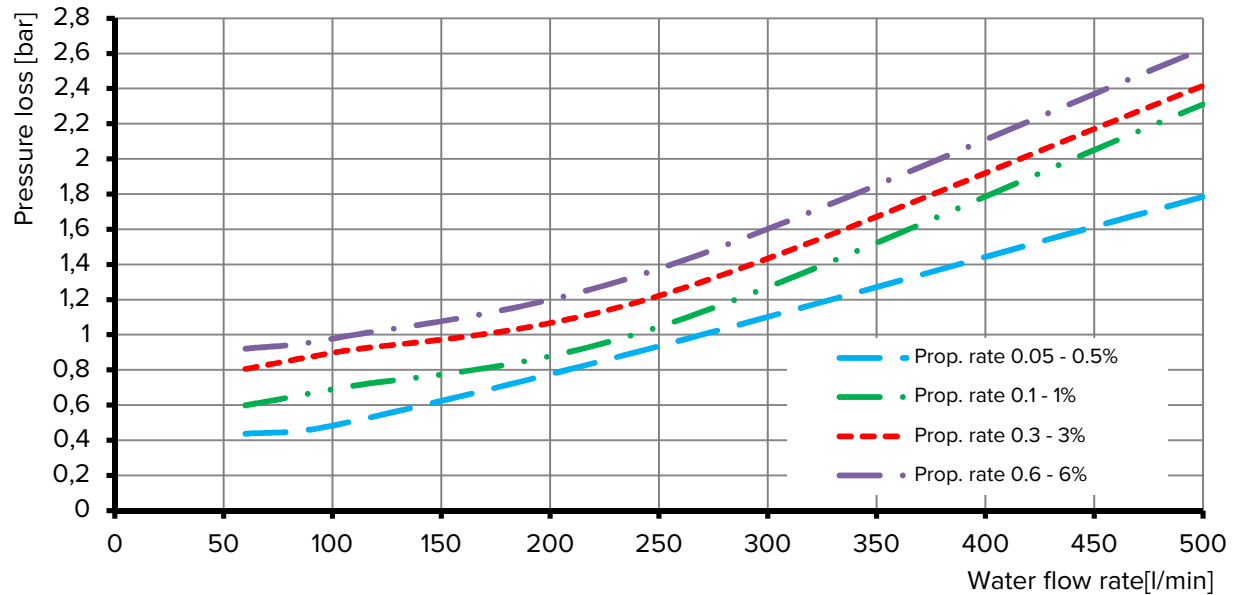
1) Proportioning starts even at a lower water flow rate. The nominal proportioning rate is achieved when reaching the specified figure.

2) Weight indication is based upon a proportioner without accessories. Further accessories installed at the proportioner will increase the specified weight. Weight indications do not consider extinguishing water or foam agent.



## ■ 2. PRESSURE LOSS.

The actual pressure loss may slightly vary, depending on the operating conditions.

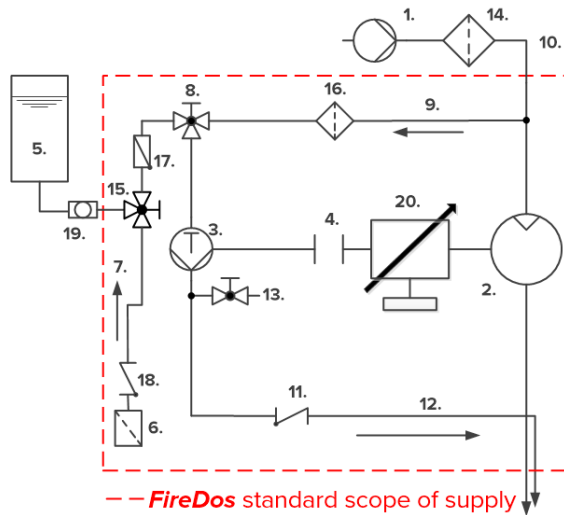


## ■ 3. MATERIALS.

<b>Water motor</b>	Aluminium casting G-ALSi7Mg HC-coated, AlMgSi1 anodised, stainless steel V2A, POM, PVDF, NBR, FPM
<b>Prop. pump</b>	Stainless steel V4A, POM, FPM, ceramics, aluminium bronze
<b>Pipework</b>	Stainless steel V2A and V4A, PTFE, FPM, nickel-plated brass

## ■ 4. FLOW DIAGRAM.

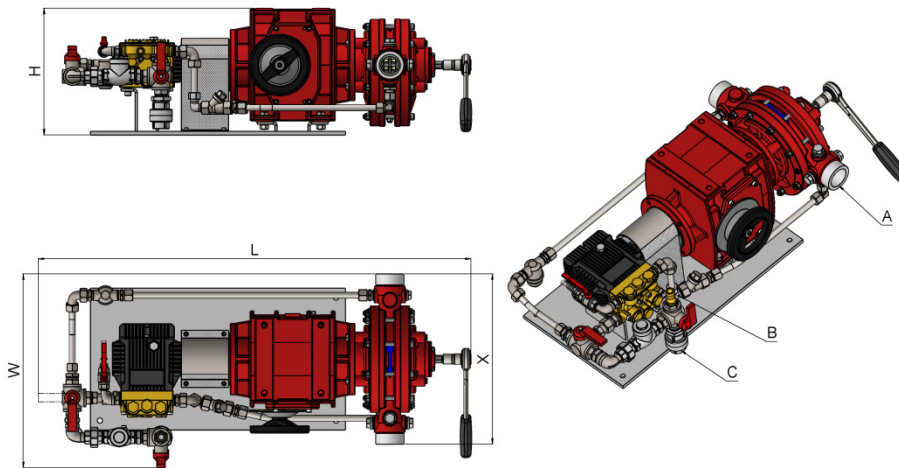
Proportioning rate 0.05 – 0.5% / 0.1 – 1% / 0.3 – 3% or 0.6 – 6%



- |  |  |
|--|--|
| 1. Extinguishing water supply          | 11. Check valve in the proportioning line        |
| 2. Water motor                         | 12. Pressure/proportioning line                  |
| 3. Proportioning pump                  | 13. Air bleed valve                              |
| 4. Coupling                            | 14. Filter in the extinguishing water line       |
| 5. Foam agent supply from vehicle      | 15. 3-way ball valve "Internal/external priming" |
| 6. Foot filter                         | 16. Filter in the flushing line                  |
| 7. External suction line               | 17. Non-return flap in the suction line          |
| 8. 3-way ball valve "Flushing/Priming" | 18. Foot valve                                   |
| 9. Flushing line                       | 19. Ventilation/Filling of the suction line *    |
| 10. Extinguishing water line           | 20. Control gear                                 |

\*) Necessary only with a non-constant course of the suction line

## ■ 5. EXAMPLE FIGURE / DIMENSIONS STRETCHED VERSION.



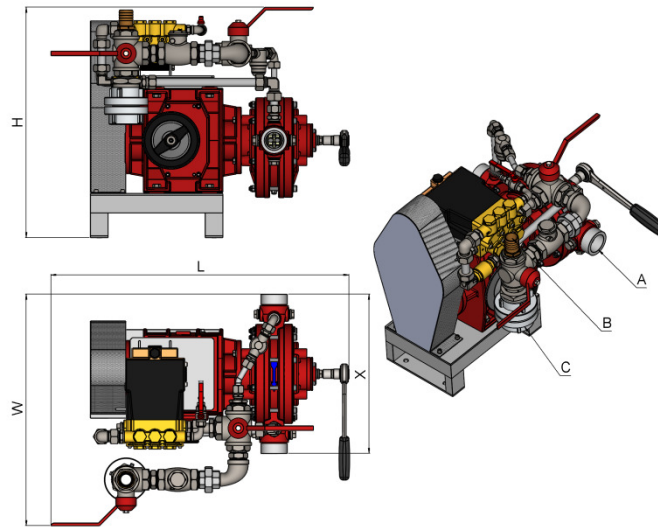
Proportioning rate	0.05 – 0.5%	0.1 – 1%	0.3 – 3%	0.6 – 6%
<b>Connection water motor A</b>	OPTL.: Thread 2" male thread BSP, 1 1/2" female thread BSP (standard) Flange acc. to DIN 2566, DN50 PN16 Flange acc. to ANSI B16.5, 2"-150 lbs/in <sup>2</sup> Flange acc. to JIS B2220 20K-50			
<b>Connection suction line</b>				
<b>internal priming B</b>	Hose d <sub>i</sub> = 15 mm	Hose d <sub>i</sub> = 20 mm	Hose d <sub>i</sub> = 32 mm	Hose d <sub>i</sub> = 32 mm
<b>external priming C</b>	Storz 25=D-DS	Storz 25=D-DS	Storz 52=C-DS	Storz 52=C-DS
<b>Length L<sup>3</sup></b>	950 mm	950 mm	1100 mm	1225 mm
<b>Height H<sup>3</sup></b>	250 mm	275 mm	330 mm	320 mm
<b>Width W<sup>3</sup></b>	420 mm	420 mm	475 mm	570 mm
<b>Installation length in the pipework X<sup>4</sup></b>	Thread 360 mm Threaded flange acc. to DIN 370 mm Threaded flange acc. to ANSI 366 mm			

3) Based upon a proportioner without accessories. Further accessories may increase the space required for installation.

4) Installation length depending on connection of water motor A.

Please allow sufficient accessibility of the proportioner for maintenance work.

## 6. EXAMPLE FIGURE / DIMENSIONS COMPACT VERSION.



Proportioning rate	0.05 – 0.5%	0.1 – 1%	0.3 – 3%	0.6 – 6%
Connection water motor A	OPTL.: Thread 2" male thread BSP, 1 1/2" female thread BSP (standard) Flange acc. to DIN 2566, DN50 PN16 Flange acc. to ANSI B16.5, 2"-150 lbs/in <sup>2</sup> Flange acc. to JIS B2220 20K-50			
Connection suction line				
internal priming B	Hose d <sub>i</sub> = 15 mm	Hose d <sub>i</sub> = 20 mm	Hose d <sub>i</sub> = 32 mm	Hose d <sub>i</sub> = 32 mm
external priming C	Storz 25=D-DS	Storz 25=D-DS	Storz 52=C-DS	Storz 52=C-DS
Length L <sup>5</sup>	620 mm	620 mm	700 mm	800 mm
Height H <sup>5</sup>	500 mm	500 mm	550 mm	550 mm
Width W <sup>5</sup>	420 mm	420 mm	550 mm	600 mm
Installation length in the pipework X <sup>6</sup>	Thread 360 mm Threaded flange acc. to DIN 370 mm Threaded flange acc. to ANSI 366 mm			

All figures are approximate only and depend on the particular version/equipment options.

5) Based upon a proportioner without accessories. Further accessories may increase the space required for installation.

6) Installation length depending on connection of water motor A.

Please allow sufficient accessibility of the proportioner for maintenance work.

## 7. MANUFACTURER.

**FireDos** GmbH, Auf der Kaulbahn 6, 61200 Wölfersheim, Germany  
Phone +49 (0) 6036 9796-0, Email: info@firedos.de

We reserve the right to make modifications at any time.