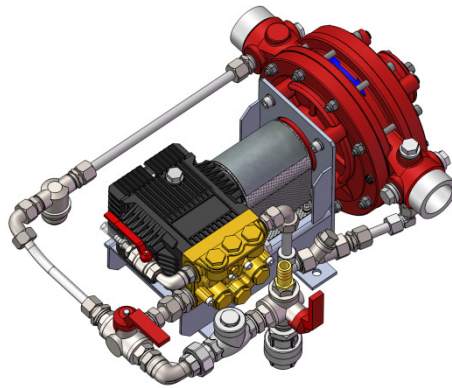


■ DATA SHEET PROPORTIONER FD500 FOR FIRE TRUCKS.



■ 1. TECHNICAL DATA.

Proportioning rate	0.5%	1%	3%	6%
Flow directions of water motor	Horizontal: "left → right" or "right → left" Vertical: "top → bottom" or "bottom → top"			
Min. water flow rate ¹	60 l/min	60 l/min	60 l/min	70 l/min
Max. water flow rate	500 l/min			
Operating temperature	5 °C – 50 °C			
Max. operating pressure	16 bar			
Weight ²	26 kg	28 kg	32 kg	42 kg

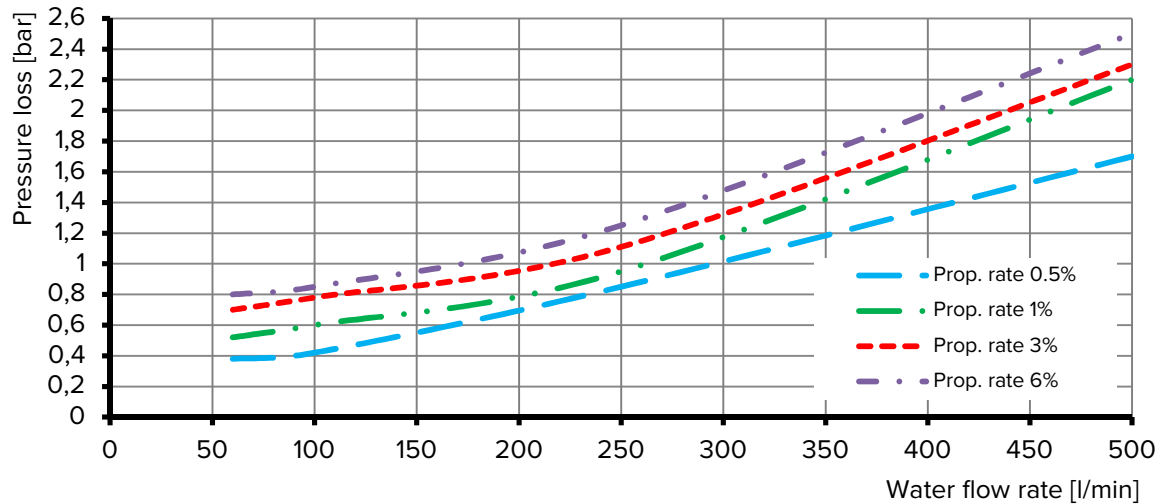
1) Proportioning starts even at a lower water flow rate. The nominal proportioning rate is achieved when reaching the specified figure.

2) Weight indication is based upon a proportioner without accessories. Further accessories installed at the proportioner will increase the specified weight. Weight indications do not consider extinguishing water or foam agent.



■ 2 PRESSURE LOSS.

The actual pressure loss may slightly vary, depending on the operating conditions.

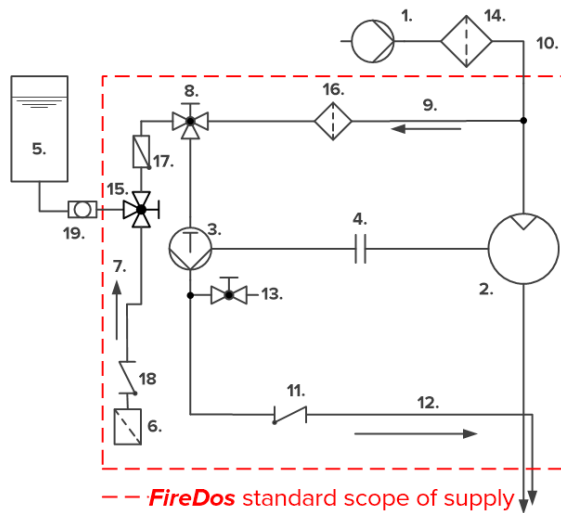


■ 3. MATERIALS.

Water motor	Aluminium casting G-ALSi7Mg HC-coated, AlMgSi1 anodised, stainless steel V2A, POM, PVDF, NBR, FPM
Prop. pump	Stainless steel V4A, POM, FPM, ceramics, aluminium bronze
Pipework	Stainless steel V2A and V4A, PTFE, FPM, nickel-plated brass

■ 4. FLOW DIAGRAM.

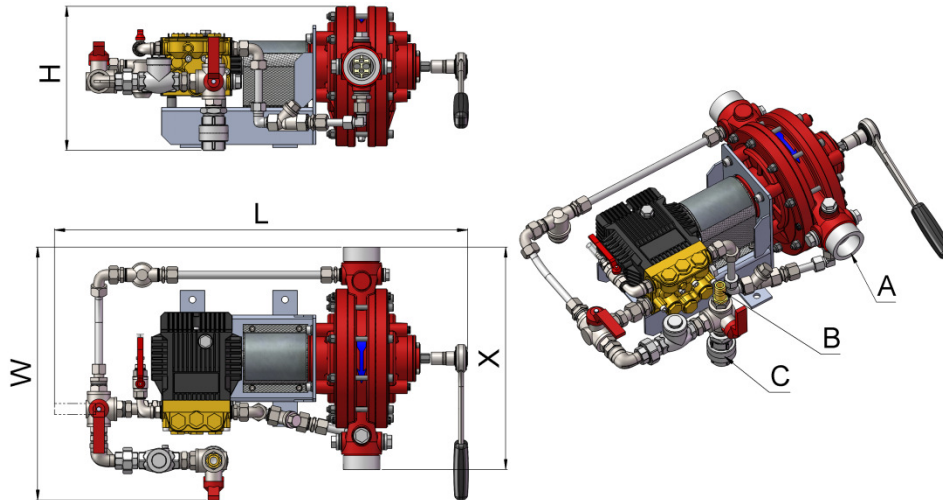
Proportioning rate 0.5% / 1% / 3% or 6%



- | | |
|--|--|
| 1. Extinguishing water supply | 11. Check valve in the proportioning line |
| 2. Water motor | 12. Pressure/proportioning line |
| 3. Proportioning pump | 13. Air bleed valve |
| 4. Coupling | 14. Filter in the extinguishing water line |
| 5. Foam agent supply from vehicle | 15. 3-way ball valve "Internal/external priming" |
| 6. Foot filter | 16. Filter in the flushing line |
| 7. External suction line | 17. Non-return flap in the suction line |
| 8. 3-way ball valve "Flushing/Priming" | 18. Foot valve |
| 9. Flushing line | 19. Ventilation/Filling of the suction line * |
| 10. Extinguishing water line | |

*) Necessary only with a non-constant course of the suction line

5. EXAMPLE FIGURE / DIMENSIONS.



Proportioning rate	0.5%	1%	3%	6%
Connection water motor A	OPTL.: Thread 2" male thread BSP, 1 1/2" female thread BSP (standard) Flange acc. to DIN 2566, DN50 PN16 Flange acc. to ANSI B16.5, 2"-150 lbs/in ² Flange acc. to JIS B2220 20K-50			
Connection suction line				
internal priming B	Hose d _i = 15 mm	Hose d _i = 20 mm	Hose d _i = 32 mm	Hose d _i = 32 mm
external priming C	Storz 25=D-DS	Storz 25=D-DS	Storz 52=C-DS	Storz 52=C-DS
Length L³	720 mm	720 mm	750 mm	900 mm
Height H³	250 mm	250 mm	300 mm	300 mm
Width W³	420 mm	420 mm	520 mm	560 mm
Installation length in the pipework X⁴	Thread 360 mm Threaded flange acc. to DIN 370 mm Threaded flange acc. to ANSI 366 mm			

All figures are approximate only and depend on the particular version/equipment options.

3) Based upon a proportioner without accessories. Further accessories may increase the space required for installation.

4) Installation length depending on connection of water motor A.

Please allow sufficient accessibility of the proportioner for maintenance work.

6. MANUFACTURER.

FireDos GmbH, Auf der Kaulbahn 6, 61200 Wölfersheim, Germany
Phone +49 (0) 6036 9796-0, Email: info@firedos.de

We reserve the right to make modifications at any time.