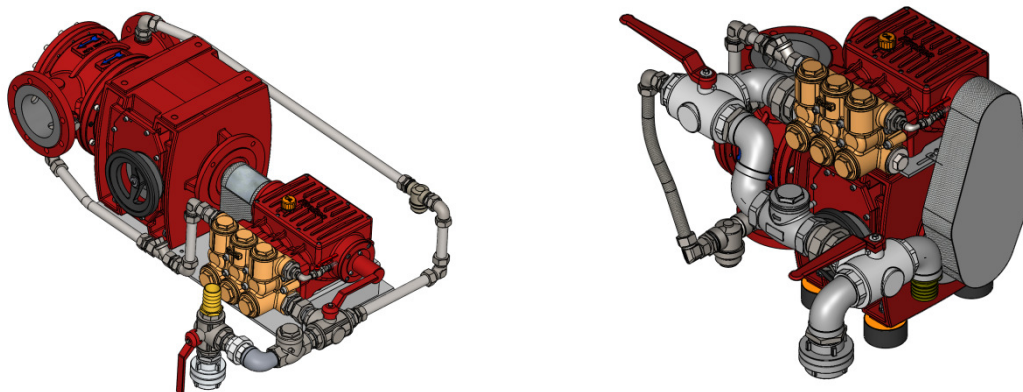


## ■ DATA SHEET PROPORTIONER FD4000 FOR FIRE TRUCKS.



### ■ 1. TECHNICAL DATA.

Proportioning rate	0.05 – 0.5%	0.1 – 1%	0.3 – 3%
Flow directions of water motor	Horizontal: “left → right” or “right → left” Vertical: “top → bottom” or “bottom → top”		
Min. water flow rate <sup>1</sup>	300 l/min	400 l/min	500 l/min
Min. water flow rate with flow reduction <sup>1</sup>	100 l/min	140 l/min	170 l/min
Max. water flow rate	4000 l/min		
Operating temperature	5 °C – 50 °C		
Max. operating pressure	16 bar		
Weight <sup>2</sup>			
Stretched version	120 kg	155 kg	240 kg
Compact version	120 kg	155 kg	240 kg

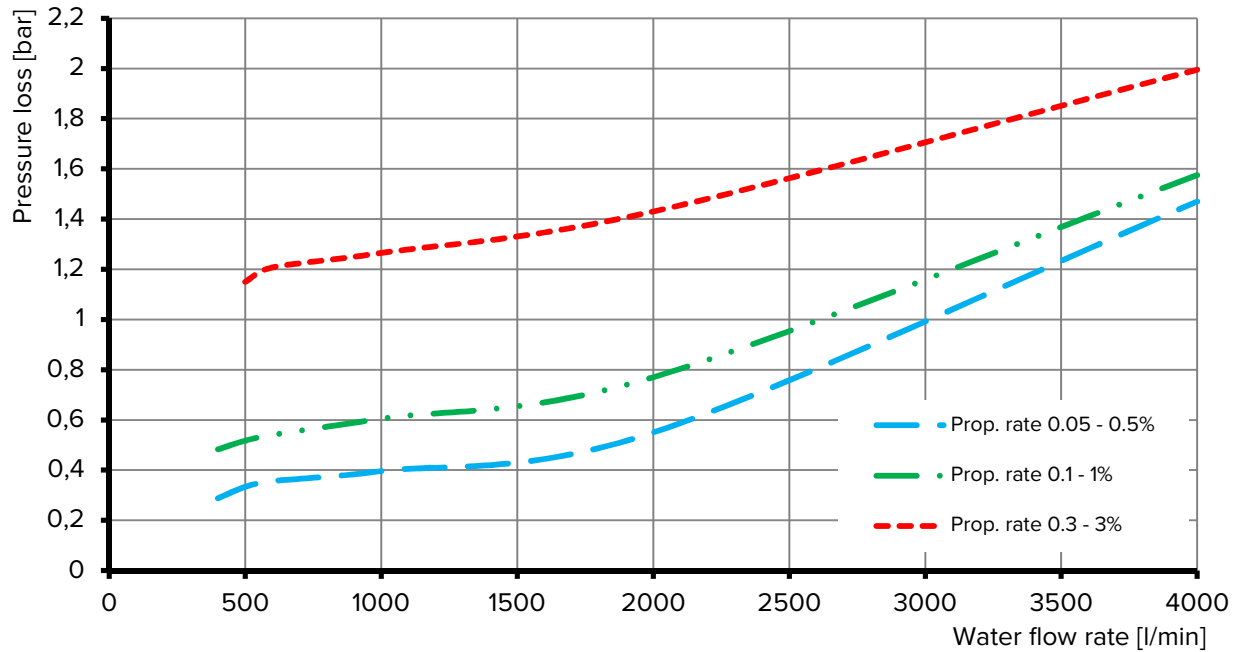
1) Proportioning starts even at a lower water flow rate. The nominal proportioning rate is achieved when reaching the specified figure.

2) Weight indication is based upon a proportioner without accessories. Further accessories installed at the proportioner will increase the specified weight. Weight indications do not consider extinguishing water or foam agent.



## ■ 2. PRESSURE LOSS.

The actual pressure loss may slightly vary, depending on the operating conditions.

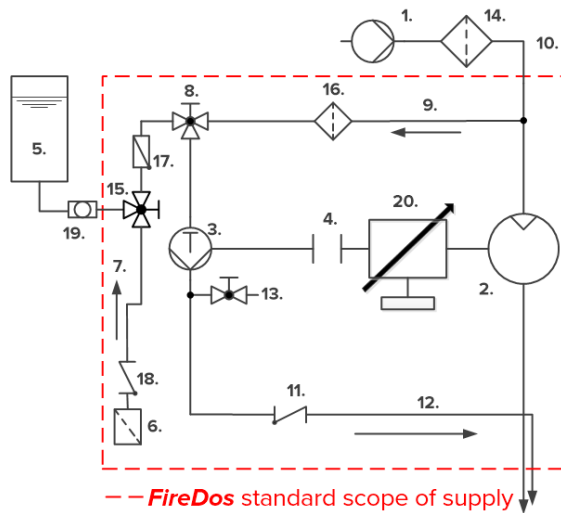


## ■ 3. MATERIALS.

<b>Water motor</b>	Aluminium casting G-AISI7Mg HC-coated, AlMgSi1 anodised, stainless steel V2A, POM, PVDF, NBR, FPM
<b>Prop. pump</b>	Stainless steel V4A, POM, FPM, ceramics, aluminium bronze
<b>Pipework</b>	Stainless steel V2A and V4A, PTFE, FPM, nickel-plated brass

## ■ 4. FLOW DIAGRAM.

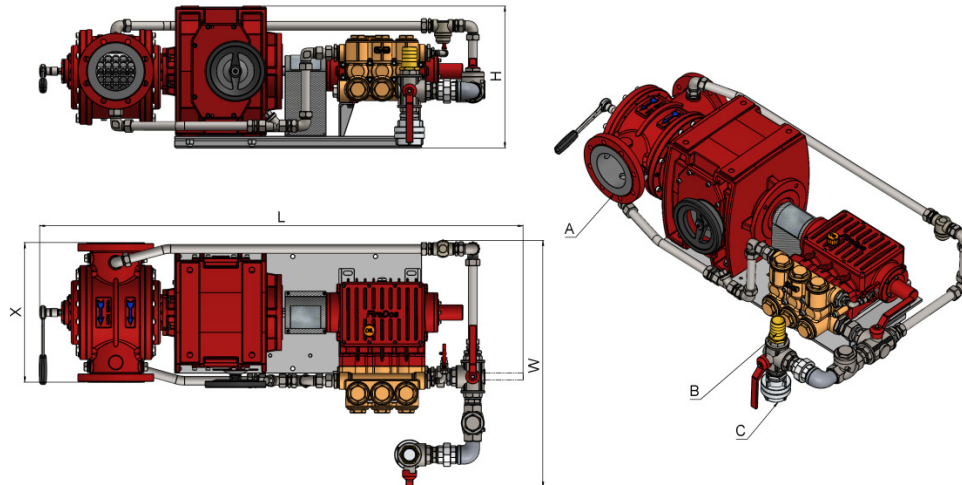
Proportioning rate 0.05 – 0.5% / 0.1 – 1% / 0.3 – 3%



- |  |  |
|--|--|
| 1. Extinguishing water supply          | 11. Check valve in the proportioning line        |
| 2. Water motor                         | 12. Pressure/proportioning line                  |
| 3. Proportioning pump                  | 13. Air bleed valve                              |
| 4. Coupling                            | 14. Filter in the extinguishing water line       |
| 5. Foam agent supply from vehicle      | 15. 3-way ball valve “Internal/external priming” |
| 6. Foot filter                         | 16. Filter in the flushing line                  |
| 7. External suction line               | 17. Non-return flap in the suction line          |
| 8. 3-way ball valve “Flushing/Priming” | 18. Foot valve                                   |
| 9. Flushing line                       | 19. Ventilation/Filling of the suction line *    |
| 10. Extinguishing water line           | 20. Control gear                                 |

\*) Necessary only with a non-constant course of the suction line

## ■ 5. EXAMPLE FIGURE / DIMENSIONS STRETCHED VERSION.



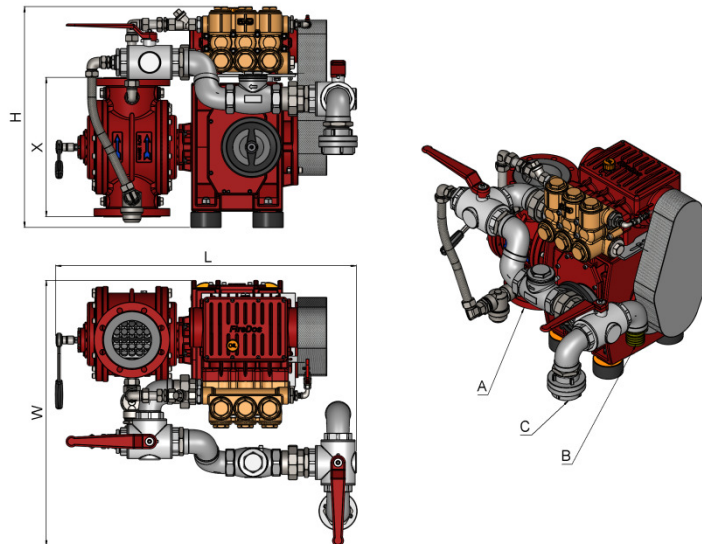
Proportioning rate	0.05 – 0.5%	0.1 – 1%	0.3 – 3%
Connection water motor A	Optionally: Flange acc. to DIN 2566, DN125 PN16 Flange acc. to ANSI B16.5, 6"-150 lbs/in <sup>2</sup> Flange acc. to JIS B2220 20K-150		
Connection suction line			
internal priming B	Hose d <sub>i</sub> = 25 mm	Hose d <sub>i</sub> = 38 mm	Hose d <sub>i</sub> = 63 mm
external priming C	Storz 25= D-DS	Storz 52= C-DS	Storz 75= B-DS
Length L <sup>3</sup>	1500 mm	1500 mm	1750 mm
Height H <sup>3</sup>	350 mm	410 mm	500 mm
Width W <sup>3</sup>	750 mm	875 mm	950 mm
Installation length in the pipework X <sup>4</sup>	460 mm		

3) Based upon a proportioner without accessories. Further accessories may increase the space required for installation.

4) Installation length depending on connection of water motor A.

Please allow sufficient accessibility of the proportioner for maintenance work.

## 6. EXAMPLE FIGURE / DIMENSIONS COMPACT VERSION.



Proportioning rate	0.05 – 0.5%	0.1 – 1%	0.3 – 3%
Connection water motor A	Optionally: Flange acc. to DIN 2566, DN125 PN16 Flange acc. to ANSI B16.5, 6"-150 lbs/in <sup>2</sup> Flange acc. to JIS B2220 20K-150		
Connection suction line			
internal priming B	Hose d <sub>i</sub> = 25 mm	Hose d <sub>i</sub> = 38 mm	Hose d <sub>i</sub> = 63 mm
external priming C	Storz 25= D-DS	Storz 52= C-DS	Storz 75= B-DS
Length L <sup>5</sup>	950 mm	975 mm	1100 mm
Height H <sup>5</sup>	725 mm	750 mm	750 mm
Width W <sup>5</sup>	800 mm	850 mm	900 mm
Installation length in the pipework X <sup>6</sup>	460 mm		

All figures are approximate only and depend on the particular version/equipment options.

5) Based upon a proportioner without accessories. Further accessories may increase the space required for installation.

6) Installation length depending on connection of water motor A.

Please allow sufficient accessibility of the proportioner for maintenance work.

## 7. MANUFACTURER.

**FireDos** GmbH, Auf der Kaulbahn 6, 61200 Wölfersheim, Germany  
Phone +49 (0) 6036 9796-0, Email: info@firedos.de

We reserve the right to make modifications at any time.