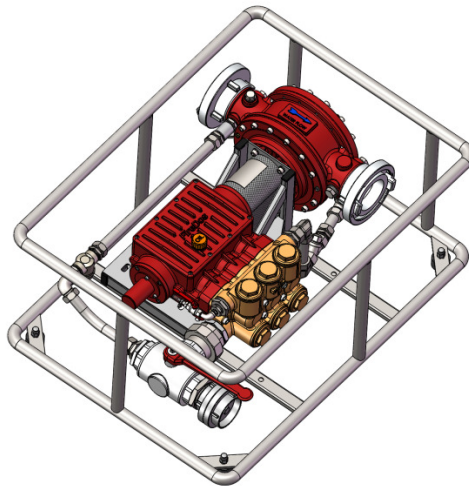


■ DATA SHEET PROPORTIONER FD2500 FOR MOBILE USE.



■ 1. TECHNICAL DATA.

Proportioning rate	0.5%	1%	3%	6%	3% + 3%
Flow directions of water motor	Horizontal: "left → right"				
Min. water flow rate ¹	200 l/min	250 l/min	250 l/min	350 l/min	350 l/min
Max. water flow rate	2500 l/min				
Operating temperature	5 °C – 50 °C				
Max. operating pressure	16 bar				
Weight ²	70 kg	76 kg	120 kg	155 kg	145 kg

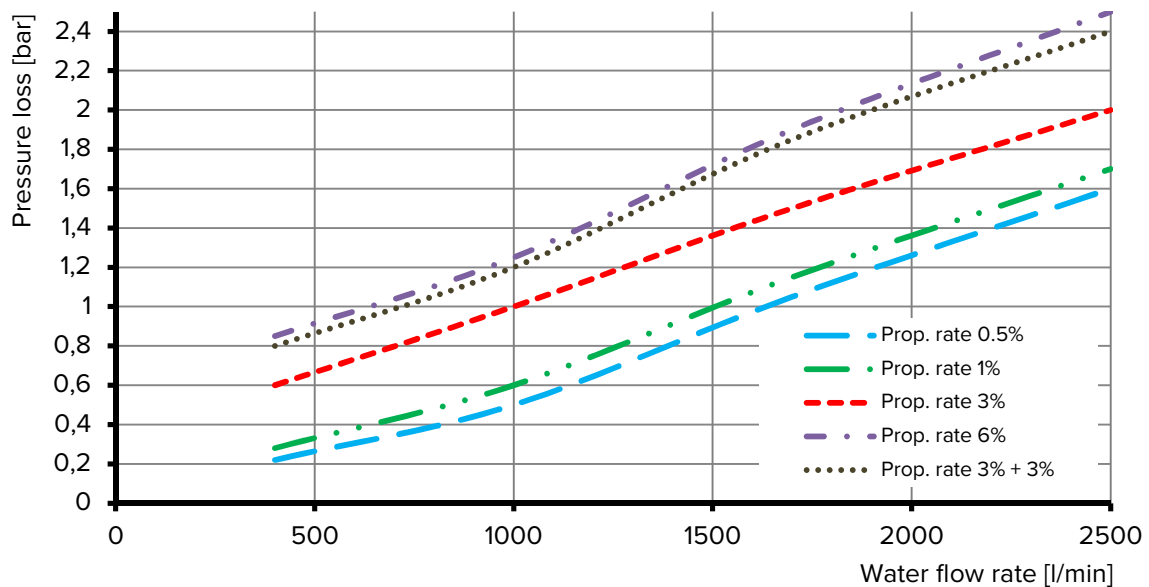
1) Proportioning starts even at a lower water flow rate. The nominal proportioning rate is achieved when reaching the specified figure.

2) Weight indication is based upon a proportioner without accessories. Further accessories installed at the proportioner will increase the specified weight. Weight indications do not consider extinguishing water or foam agent.



■ 2. PRESSURE LOSS.

The actual pressure loss may slightly vary, depending on the operating conditions.

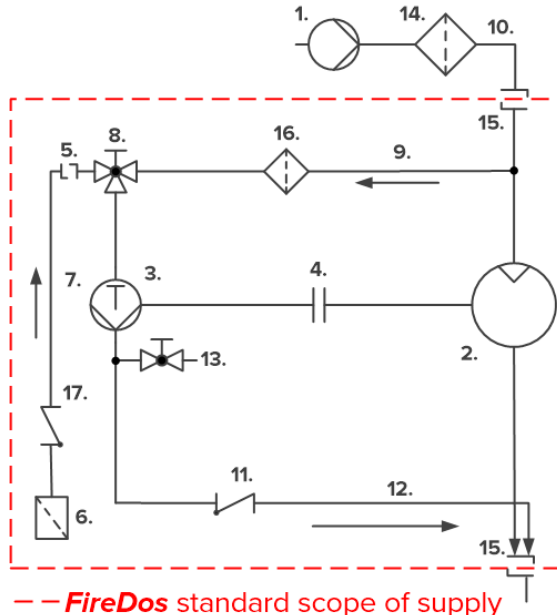


■ 3. MATERIALS.

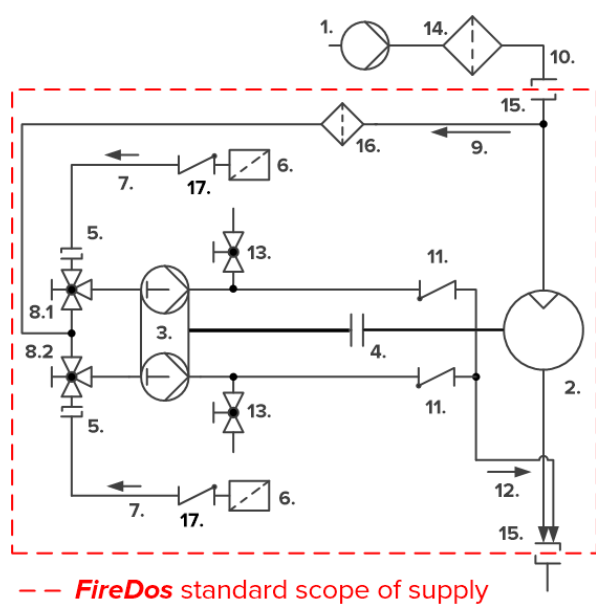
Water motor	Aluminium casting G-ALSi7Mg HC-coated, AlMgSi1 anodised, stainless steel V2A, POM, PVDF, NBR, FPM
Prop. pump	Stainless steel V4A, POM, FPM, ceramics, aluminium bronze
Pipework	Stainless steel V2A and V4A, PTFE, FPM, nickel-plated brass

■ 4. FLOW DIAGRAM.

Proportioning rate 0.5% / 1% / 3% or 6%



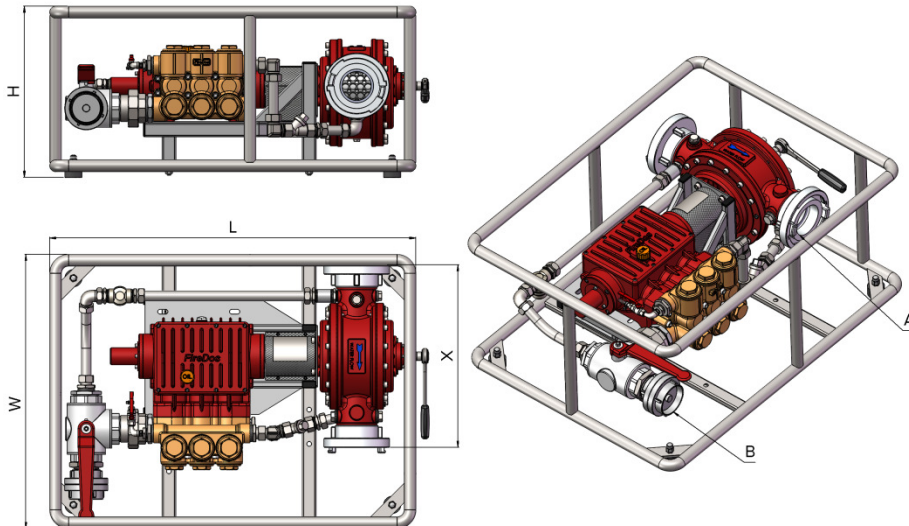
Proportioning rate 3% + 3%



1. Extinguishing water supply
2. Water motor
3. Proportioning pump
4. Coupling
5. Quick coupling at suction line
6. Foot filter
7. Suction line
8. 3-way ball valve "Flushing/Priming"
- 8.1 "Flushing/Priming" pump head I
- 8.2 "Flushing/Priming" pump head II

9. Flushing line
10. Extinguishing water line
11. Check valve in the proportioning line
12. Pressure/proportioning line
13. Air bleed valve
14. Filter in the extinguishing water line
15. Quick coupling at water motor
16. Filter in the flushing line
17. Foot valve

■ 5. EXAMPLE FIGURE / DIMENSIONS.



Proportioning rate	0.5%	1%	3%	6%	3% + 3%
Connection water motor A	Optionally: Storz 100=A-DS Thread 4" male thread, 3" female thread BSP				
Connection suction line B	Storz 25=D-DS	Storz 52=C-DS	Storz 52=C-DS	Storz 75=B-DS	2x Storz 52=C-DS
Length L ³	940 mm	940 mm	1020 mm	1070 mm	1100 mm
Height H ³	455 mm	455 mm	565 mm	500 mm	650 mm
Width W ³	800 mm	600 mm	740 mm	800 mm	800 mm
Installation length in the pipework X ⁴	Storz 535 mm Thread 452 mm				

All figures are approximate only and depend on the particular version/equipment options.

3) Further accessories to the proportioner may increase the space required for installation.

4) Installation length depending on connection of water motor A.

■ 6. MANUFACTURER.

FireDos GmbH, Auf der Kaulbahn 6, 61200 Wölfersheim, Germany
Phone +49 (0) 6036 9796-0, Email: info@firedos.de

We reserve the right to make modifications at any time.