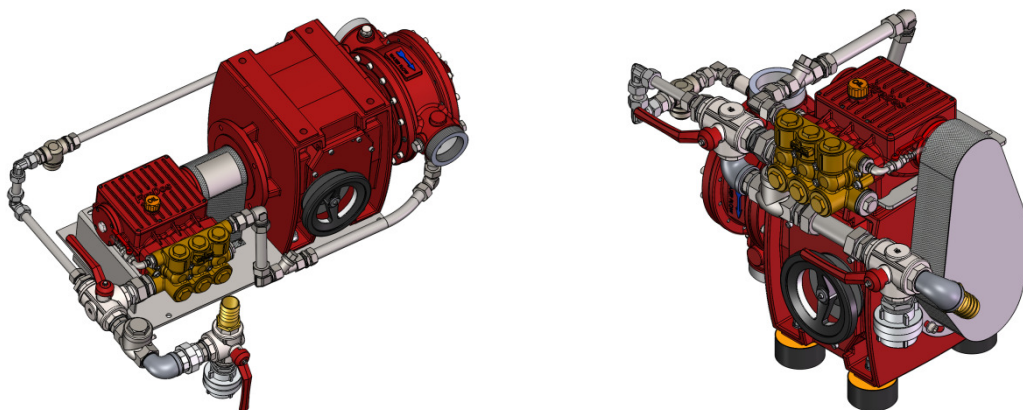


■ DATA SHEET PROPORTIONER FD2500 FOR FIRE TRUCKS.



■ 1. TECHNICAL DATA.

Proportioning rate	0.05 – 0.5%	0.1 – 1%	0.3 – 3%	0.6 – 6%
Flow directions of water motor	Horizontal: “left → right” or “right → left” Vertical: “top → bottom” or “bottom → top”			
Min. water flow rate ¹	200 l/min	250 l/min	250 l/min	350 l/min
Min. water flow rate with flow reduction ¹	70 l/min	90 l/min	90 l/min	120 l/min
Max. water flow rate	2500 l/min			
Operating temperature	5 °C – 50 °C			
Max. operating pressure	16 bar			
Weight ²				
Stretched version	85 kg	130 kg	186 kg	190 kg
Compact version	85 kg	130 kg	170 kg	240 kg

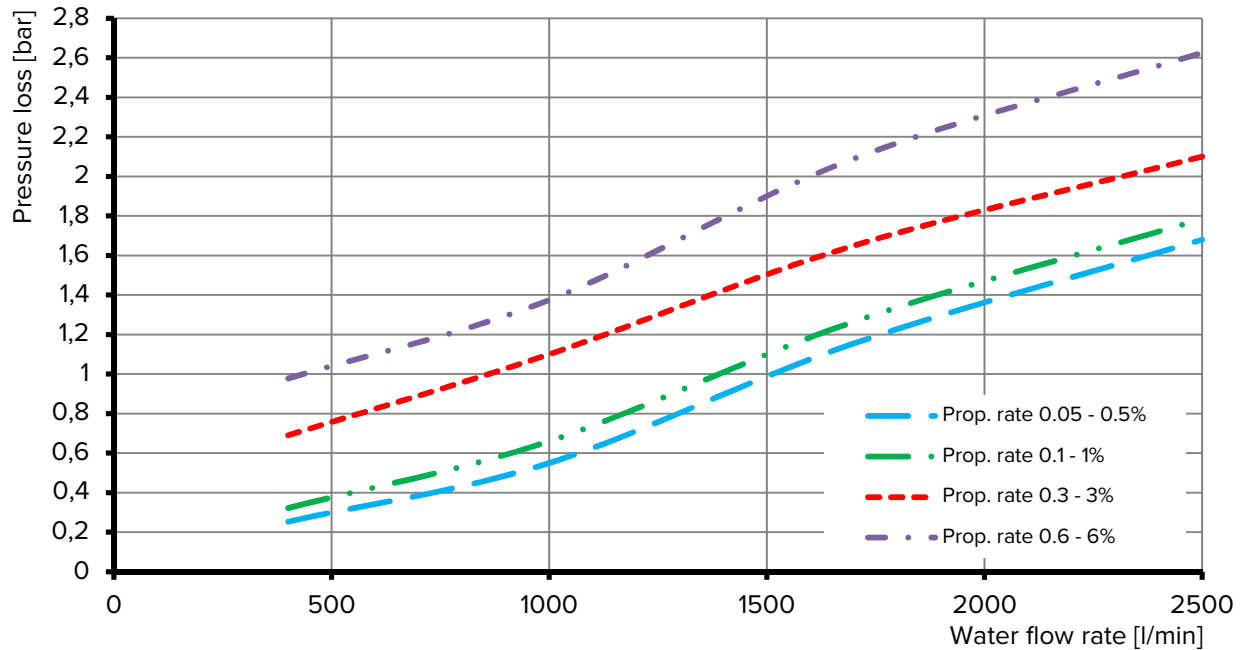
1) Proportioning starts even at a lower water flow rate. The nominal proportioning rate is achieved when reaching the specified figure.

2) Weight indication is based upon a proportioner without accessories. Further accessories installed at the proportioner will increase the specified weight. Weight indications do not consider extinguishing water or foam agent.



■ 2. PRESSURE LOSS.

The actual pressure loss may slightly vary, depending on the operating conditions.

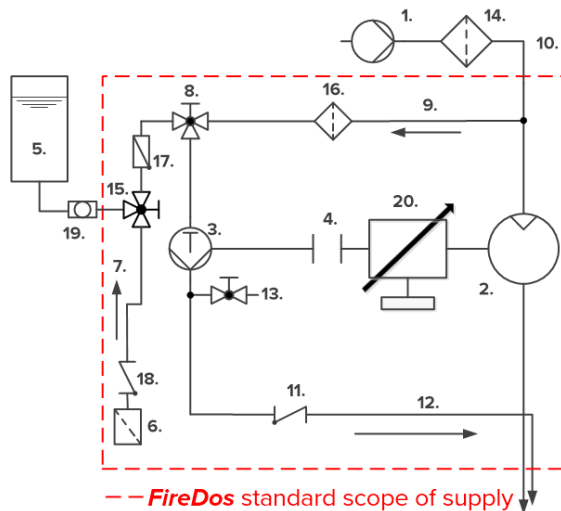


■ 3. MATERIALS.

Water motor	Aluminium casting G-ALSi7Mg HC-coated, AlMgSi1 anodised, stainless steel V2A, POM, PVDF, NBR, FPM
Prop. pump	Stainless steel V4A, POM, FPM, ceramics, aluminium bronze
Pipework	Stainless steel V2A and V4A, PTFE, FPM, nickel-plated brass

■ 4. FLOW DIAGRAM.

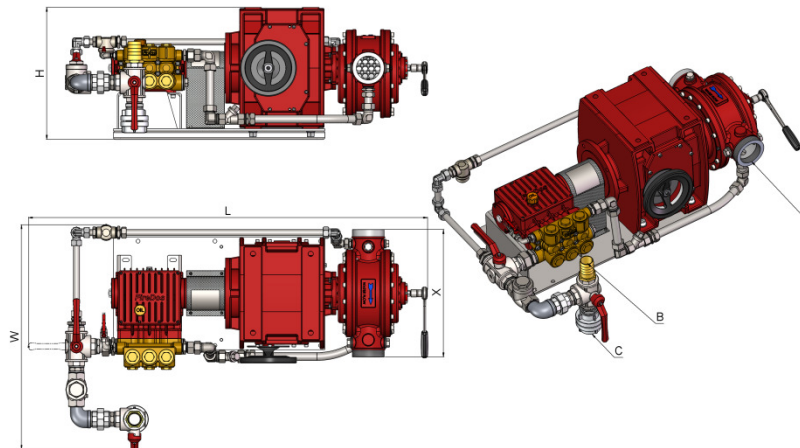
Proportioning rate 0.05 – 0.5% / 0.1 – 1% / 0.3 – 3% or 0.6 – 6%



- | | |
|--|--|
| 1. Extinguishing water supply | 11. Check valve in the proportioning line |
| 2. Water motor | 12. Pressure/proportioning line |
| 3. Proportioning pump | 13. Air bleed valve |
| 4. Coupling | 14. Filter in the extinguishing water line |
| 5. Foam agent supply from vehicle | 15. 3-way ball valve "Internal/external priming" |
| 6. Foot filter | 16. Filter in the flushing line |
| 7. External suction line | 17. Non-return flap in the suction line |
| 8. 3-way ball valve "Flushing/Priming" | 18. Foot valve |
| 9. Flushing line | 19. Ventilation/Filling of the suction line * |
| 10. Extinguishing water line | 20. Control gear |

*) Necessary only with a non-constant course of the suction line

■ 5. EXAMPLE FIGURE / DIMENSIONS STRETCHED VERSION.



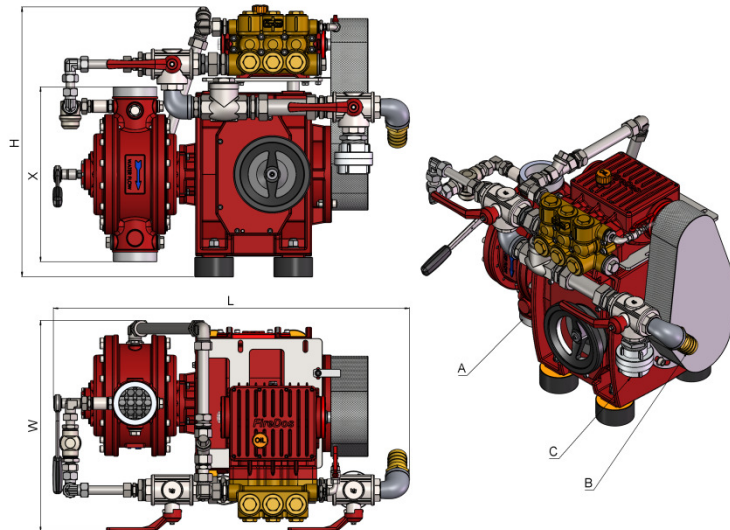
Proportioning rate	0.05 – 0.5%	0.1 – 1%	0.3 – 3%	0.6 – 6%
Connection water motor A	OPTL.: Thread 4" male thread BSP, 3" female thread BSP (standard) Flange acc. to DIN 2566, DN100 PN16 Flange acc. to ANSI B16.5, 4"-150 lbs/in ² Flange acc. to JIS B2220 20K-100			
Connection suction line				
internal priming B	Hose d _i = 25 mm	Hose d _i = 32 mm	Hose d _i = 50 mm	Hose d _i = 63 mm
external priming C	Storz 25=D-DS	Storz 52=C-DS	Storz 52=C-DS	Storz 75=B-DS
Length L³	1300 mm	1325 mm	1425 mm	1700 mm
Height H³	350 mm	410 mm	475 mm	490 mm
Width W³	700 mm	700 mm	800 mm	850 mm
Installation length in the pipework X⁴	Thread 452 mm Threaded flange acc. DIN 470 mm Threaded flange acc. JIS 474 mm Threaded flange acc. ANSI 478 mm			

3) Based upon a proportioner without accessories. Further accessories may increase the space required for installation.

4) Installation length depending on connection of water motor A.

Please allow sufficient accessibility of the proportioner for maintenance work.

6. EXAMPLE FIGURE / DIMENSIONS COMPACT VERSION.



Proportioning rate	0.05 – 0.5%	0.1 – 1%	0.3 – 3%	0.6 – 6%
Connection water motor A	OPTL.: Thread 4" male thread BSP, 3" female thread BSP (standard) Flange acc. to DIN 2566, DN100 PN16 Flange acc. to ANSI B16.5, 4"-150 lbs/in ² Flange acc. to JIS B2220 20K-100			
Connection suction line				
internal priming B	Hose d _i = 25 mm	Hose d _i = 32 mm	Hose d= 50 mm	Hose d= 63 mm
external priming C	Storz 25=D-DS	Storz 52=C-DS	Storz 52=C-DS	Storz 75=B-DS
Length L⁵	800 mm	825 mm	950 mm	1125 mm
Height H⁵	700 mm	725 mm	725 mm	750 mm
Width W⁵	600 mm	600 mm	600 mm	775 mm
Installation length in the pipework X⁶	Thread 452 mm Threaded flange acc. DIN 470 mm Threaded flange acc. JIS 474 mm Threaded flange acc. ANSI 478 mm			

All figures are approximate only and depend on the particular version/equipment options.

5) Based upon a proportioner without accessories. Further accessories may increase the space required for installation.

6) Installation length depending on connection of water motor A.

Please allow sufficient accessibility of the proportioner for maintenance work.

7. MANUFACTURER.

FireDos GmbH, Auf der Kaulbahn 6, 61200 Wölfersheim, Germany

Phone +49 (0) 6036 9796-0, Email: info@firedos.de

We reserve the right to make modifications at any time.