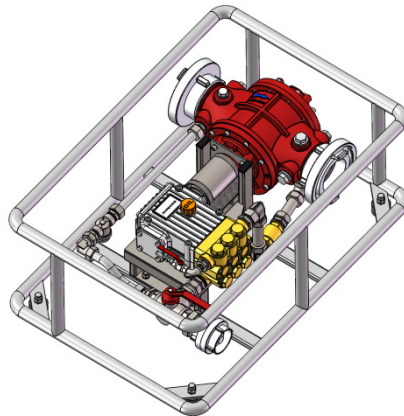


■ DATA SHEET PROPORTIONER FD1600 FOR MOBILE USE.



■ 1. TECHNICAL DATA.

Proportioning rate	0.5%	1%	3%	6%	3% + 3%
Flow directions of water motor	Horizontal: "left → right"				
Min. water flow rate ¹	120 l/min	150 l/min	180 l/min	240 l/min	240 l/min
Max. water flow rate	1600 l/min				
Operating temperature	5 °C – 50 °C				
Max. operating pressure	16 bar				
Weight ²	60 kg	65 kg	70 kg	120 kg	130 kg

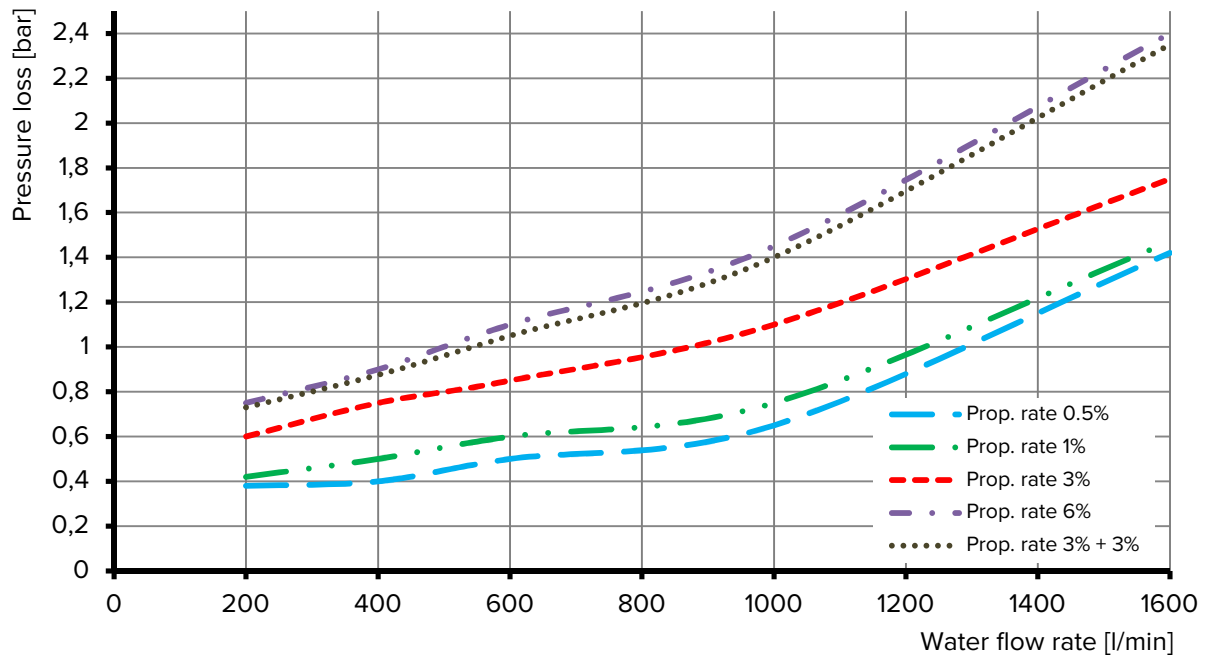
1) Proportioning starts even at a lower water flow rate. The nominal proportioning rate is achieved when reaching the specified figure.

2) Weight indication is based upon a proportioner without accessories. Further accessories installed at the proportioner will increase the specified weight. Weight indications do not consider extinguishing water or foam agent.



■ 2. PRESSURE LOSS.

The actual pressure loss may slightly vary, depending on the operating conditions.

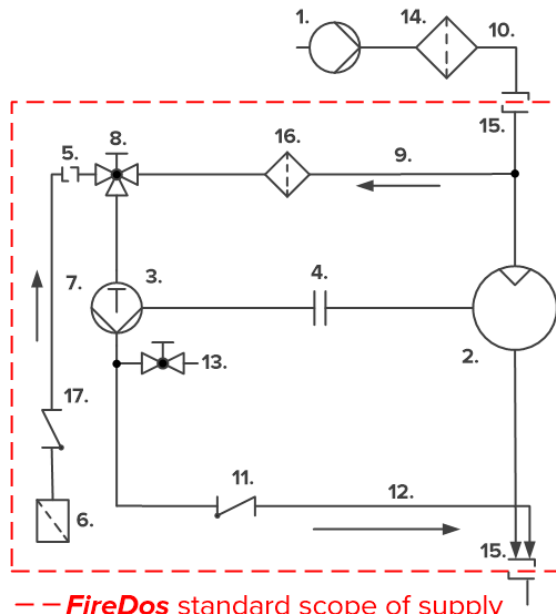


■ 3. MATERIALS.

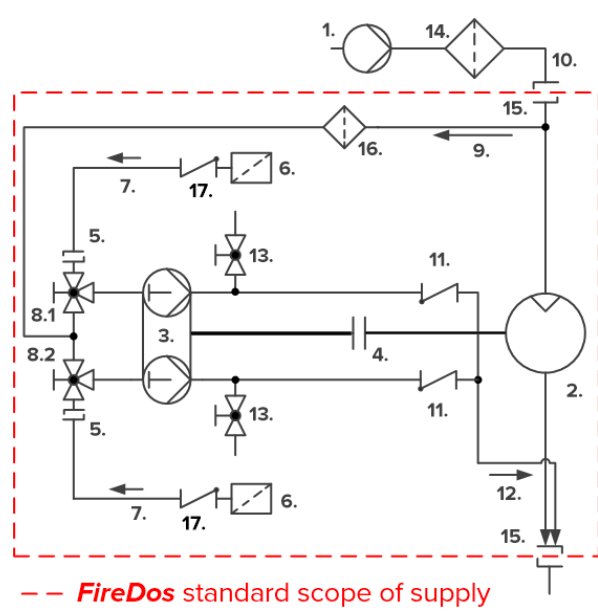
Water motor	Aluminium casting G-AlSi7Mg HC-coated, aluminium bronze, stainless steel V2A, POM, PVDF, NBR, FPM
Prop. pump	Stainless steel V4A, POM, FPM, ceramics, aluminium bronze
Pipework	Stainless steel V2A and V4A, PTFE, FPM, nickel-plated brass

■ 4. FLOW DIAGRAM.

Proportioning rate 0.5% / 1% / 3% or 6%



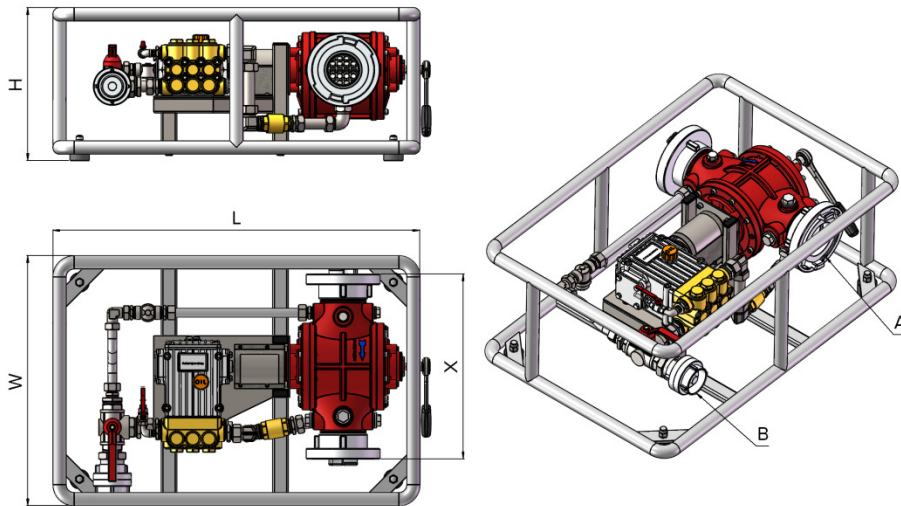
Proportioning rate 3% + 3%



1. Extinguishing water supply
2. Water motor
3. Proportioning pump
4. Coupling
5. Quick coupling at suction line
6. Foot filter
7. Suction line
8. 3-way ball valve "Flushing/Priming"
- 8.1 "Flushing/Priming" pump head I
- 8.2 "Flushing/Priming" pump head II

9. Flushing line
10. Extinguishing water line
11. Check valve in the proportioning line
12. Pressure/proportioning line
13. Air bleed valve
14. Filter in the extinguishing water line
15. Quick coupling at water motor
16. Filter in the flushing line
17. Foot valve

5. EXAMPLE FIGURE / DIMENSIONS.



Proportioning rate	0.5%	1%	3%	6%	3% + 3%
Connection water motor A	Optionally: Storz 100=A-DS Thread 4" male thread, 3" female thread BSP				
Connection suction line B	Storz 25=D-DS	Storz 52=C-DS	Storz 52=C-DS	Storz 52=C-DS	2x Storz 52=C-DS
Length L ³	850 mm	850 mm	955 mm	1070 mm	1100 mm
Height H ³	400 mm	400 mm	440 mm	500 mm	500 mm
Width W ³	650 mm	550 mm	650 mm	720 mm	800 mm
Installation length in the pipework X ⁴	Storz 480mm Thread 410 mm				

All figures are approximate only and depend on the particular version/equipment options.

3) Further accessories to the proportioner may increase the space required for installation.

4) Installation length depending on connection of water motor A.

6. MANUFACTURER.

FireDos GmbH, Auf der Kaulbahn 6, 61200 Wölfersheim, Germany
Phone +49 (0) 6036 9796-0, Email: info@firedos.de

We reserve the right to make modifications at any time.