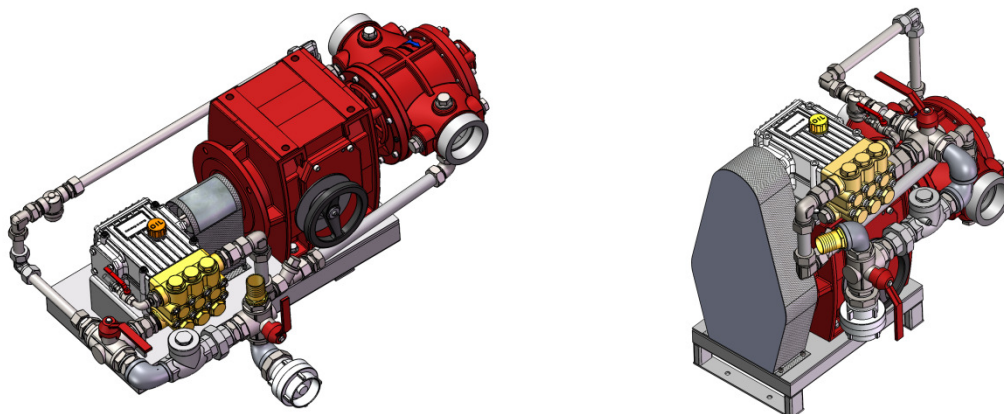


■ DATA SHEET PROPORTIONER FD1600 FOR FIRE TRUCKS.



■ 1. TECHNICAL DATA.

Proportioning rate	0.05 – 0.5%	0.1 – 1%	0.3 – 3%	0.6 – 6%
Flow directions of water motor	Horizontal: “left → right” or “right → left” Vertical: “top → bottom” or “bottom → top”			
Min. water flow rate ¹	120 l/min	150 l/min	180 l/min	240 l/min
Min. water flow rate with flow reduction ¹	40 l/min	50 l/min	60 l/min	80 l/min
Max. water flow rate	1600 l/min			
Operating temperature	5 °C – 50 °C			
Max. operating pressure	16 bar			
Weight ²				
Stretched version	60 kg	80 kg	130 kg	155 kg
Compact version	60 kg	80 kg	117 kg	155 kg

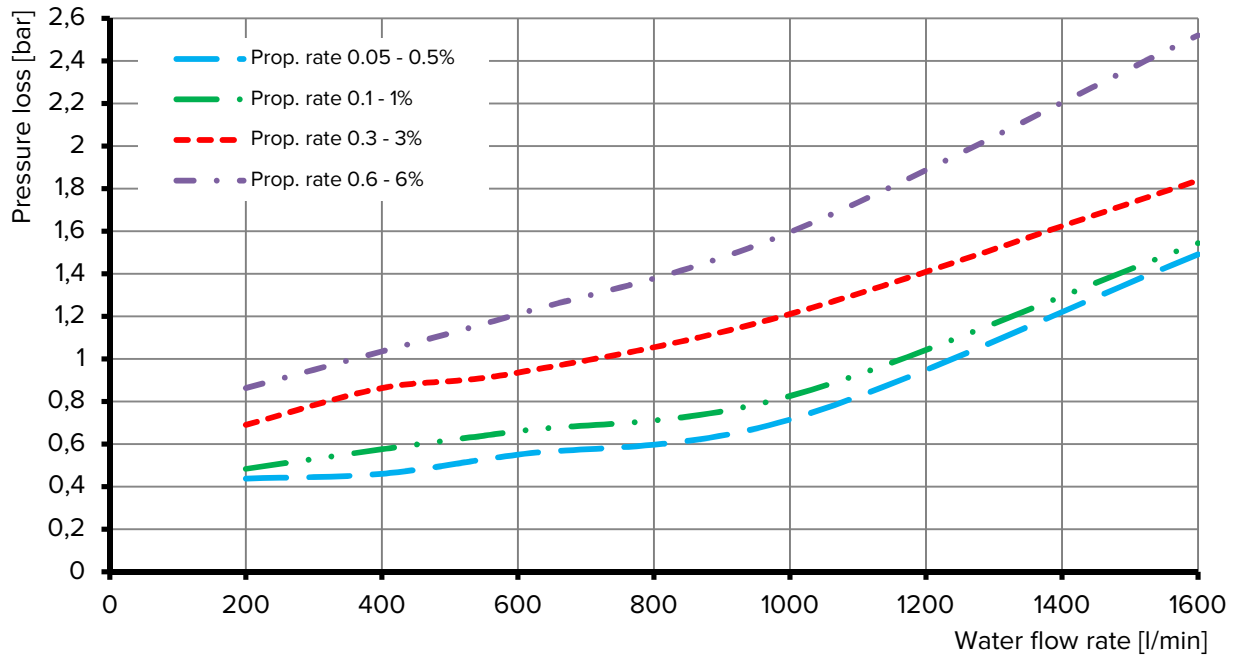
1) Proportioning starts even at a lower water flow rate. The nominal proportioning rate is achieved when reaching the specified figure.

2) Weight indication is based upon a proportioner without accessories. Further accessories installed at the proportioner will increase the specified weight.
Weight indications do not consider extinguishing water or foam agent.



■ 2. PRESSURE LOSS.

The actual pressure loss may slightly vary, depending on the operating conditions.

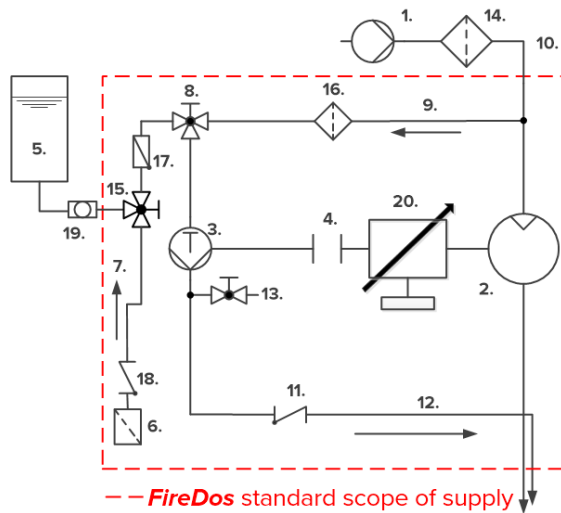


■ 3. MATERIALS.

Water motor	Aluminium casting G-ALSi7Mg HC-coated, aluminium bronze, stainless steel V2A, POM, PVDF, NBR, FPM
Prop. pump	Stainless steel V4A, POM, FPM, ceramics, aluminium bronze
Pipework	Stainless steel V2A and V4A, PTFE, FPM, nickel-plated brass

■ 4. FLOW DIAGRAM.

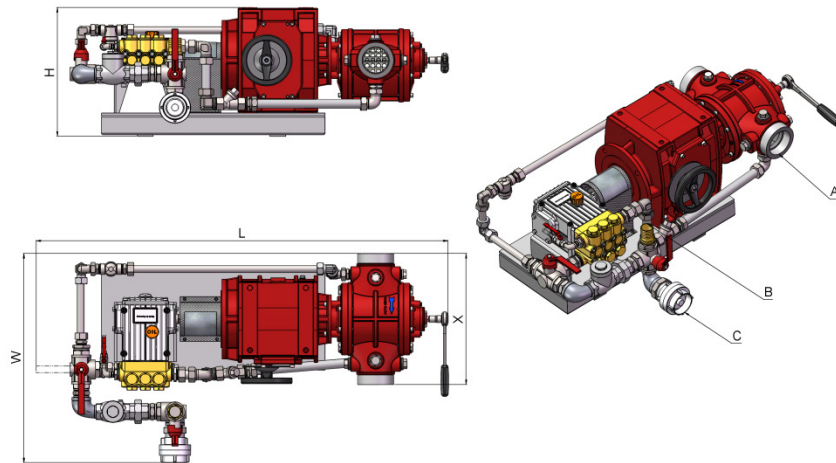
Proportioning rate 0.05 – 0.5% / 0.1 – 1% / 0.3 – 3% or 0.6 – 6%



- | | |
|--|--|
| 1. Extinguishing water supply | 11. Check valve in the proportioning line |
| 2. Water motor | 12. Pressure/proportioning line |
| 3. Proportioning pump | 13. Air bleed valve |
| 4. Coupling | 14. Filter in the extinguishing water line |
| 5. Foam agent supply from vehicle | 15. 3-way ball valve "Internal/external priming" |
| 6. Foot filter | 16. Filter in the flushing line |
| 7. External suction line | 17. Non-return flap in the suction line |
| 8. 3-way ball valve "Flushing/Priming" | 18. Foot valve |
| 9. Flushing line | 19. Ventilation/Filling of the suction line * |
| 10. Extinguishing water line | 20. Control gear |

*) Necessary only with a non-constant course of the suction line

5. EXAMPLE FIGURE / DIMENSIONS STRETCHED VERSION.



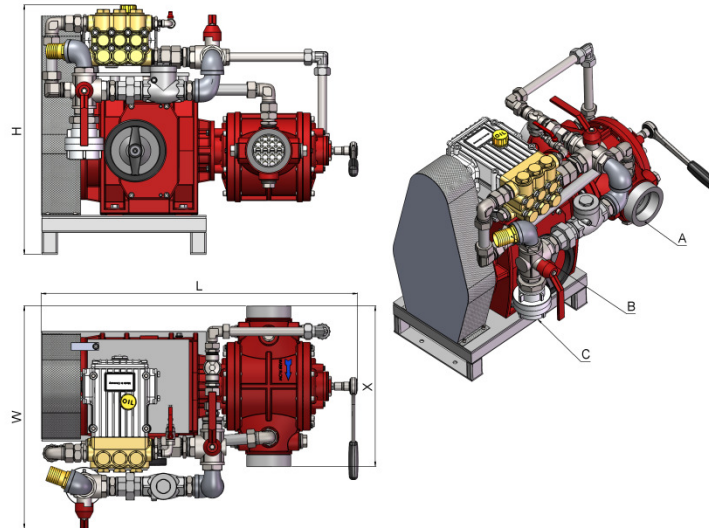
Proportioning rate	0.05 – 0.5%	0.1 – 1%	0.3 – 3%	0.6 – 6%
Connection water motor A	OPTL.: Thread 4" male thread BSP, 3" female thread BSP (standard) Flange acc. to DIN 2566, DN100 PN16 Flange acc. to ANSI B16.5, 4"-150 lbs/in ² Flange acc. to JIS B2220 20K-100			
Connection suction line				
internal priming B	Hose d _i = 20 mm	Hose d _i = 32 mm	Hose d _i = 38 mm	Hose d _i = 50 mm
external priming C	Storz 25=D-DS	Storz 52=C-DS	Storz 52=C-DS	Storz 52=C-DS
Length L³	1250 mm	1250 mm	1300 mm	1500 mm
Height H³	300 mm	410 mm	410 mm	460 mm
Width W³	550 mm	510 mm	660 mm	825 mm
Installation length in the pipework X⁴	Thread 410 mm Threaded flange 422 mm			

3) Based upon a proportioner without accessories. Further accessories may increase the space required for installation.

4) Installation length depending on connection of water motor A.

Please allow sufficient accessibility of the proportioner for maintenance work.

6. EXAMPLE FIGURE / DIMENSIONS COMPACT VERSION.



Proportioning rate	0.05 – 0.5%	0.1 – 1%	0.3 – 3%	0.6 – 6%
Connection water motor A	OPTL.: Thread 4" male thread BSP, 3" female thread BSP (standard) Flange acc. to DIN 2566, DN100 PN16 Flange acc. to ANSI B16.5, 4"-150 lbs/in ² Flange acc. to JIS B2220 20K-100			
Connection suction line				
internal priming B	Hose d _i = 20 mm	Hose d _i = 32 mm	Hose d _i = 38 mm	Hose d _i = 50 mm
external priming C	Storz 25=D-DS	Storz 52=C-DS	Storz 52=C-DS	Storz 52=C-DS
Length L ⁵	800 mm	800 mm	850 mm	1085 mm
Height H ⁵	525 mm	525 mm	650 mm	650 mm
Width W ⁵	580 mm	580 mm	580 mm	600 mm
Installation length in the pipework X ⁶	Thread 410 mm Threaded flange 422 mm			

All figures are approximate only and depend on the particular version/equipment options.

5) Based upon a proportioner without accessories. Further accessories may increase the space required for installation.

6) Installation length depending on connection of water motor A.

Please allow sufficient accessibility of the proportioner for maintenance work.

7. MANUFACTURER.

FireDos GmbH, Auf der Kaulbahn 6, 61200 Wölfersheim, Germany
Phone +49 (0) 6036 9796-0, Email: info@firedos.de

We reserve the right to make modifications at any time.