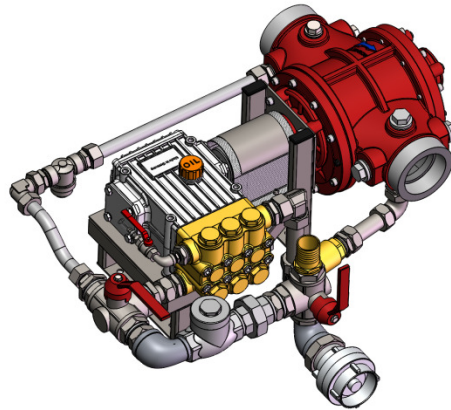


■ DATA SHEET PROPORTIONER FD1600 FOR FIRE TRUCKS.



■ 1. TECHNICAL DATA.

Proportioning rate	0.5%	1%	3%	6%	3% + 3%
Flow directions of water motor	Horizontal: "left → right" or "right → left" Vertical: "top → bottom" or "bottom → top"				
Min. water flow rate ¹	120 l/min	150 l/min	180 l/min	240 l/min	240 l/min
Min. water flow rate with flow reduction ¹	40 l/min	50 l/min	60 l/min	80 l/min	80 l/min
Max. water flow rate	1600 l/min				
Operating temperature	5 °C – 50 °C				
Max. operating pressure	16 bar				
Weight ²	42 kg	45 kg	60 kg	115 kg	150 kg

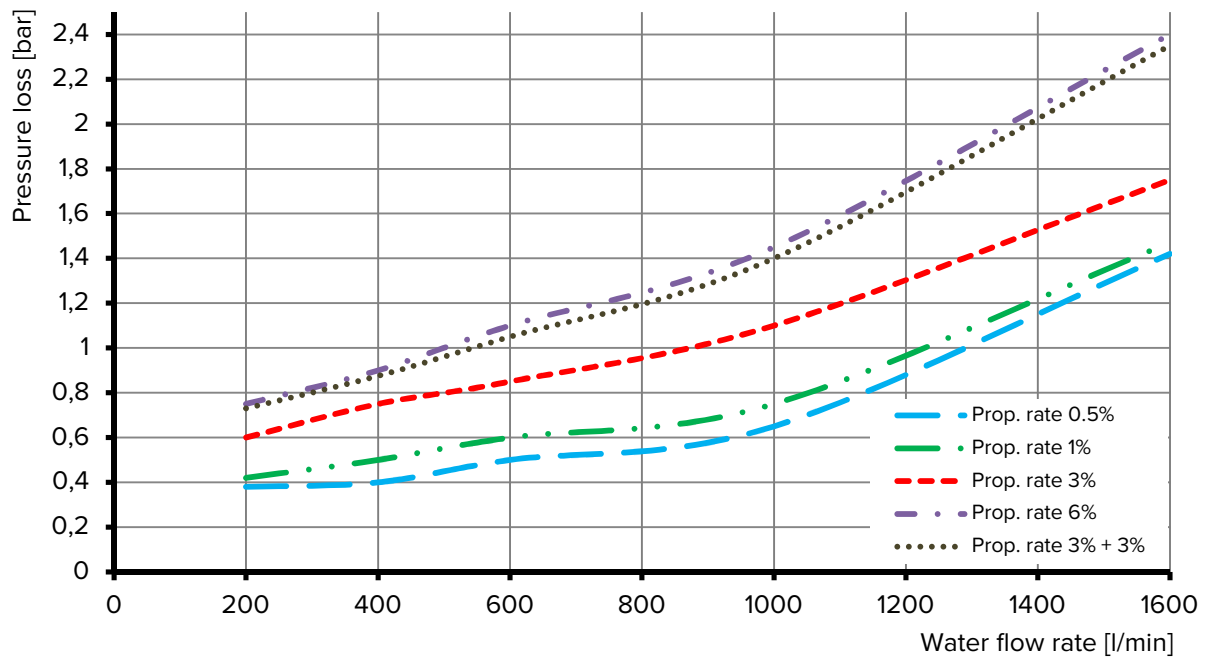
1) Proportioning starts even at a lower water flow rate. The nominal proportioning rate is achieved when reaching the specified figure.

2) Weight indication is based upon a proportioner without accessories. Further accessories installed at the proportioner will increase the specified weight. Weight indications do not consider extinguishing water or foam agent.



■ 2. PRESSURE LOSS.

The actual pressure loss may slightly vary, depending on the operating conditions.

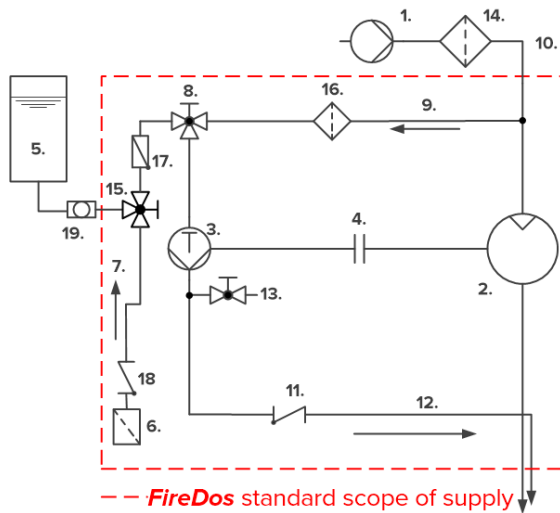


■ 3. MATERIALS.

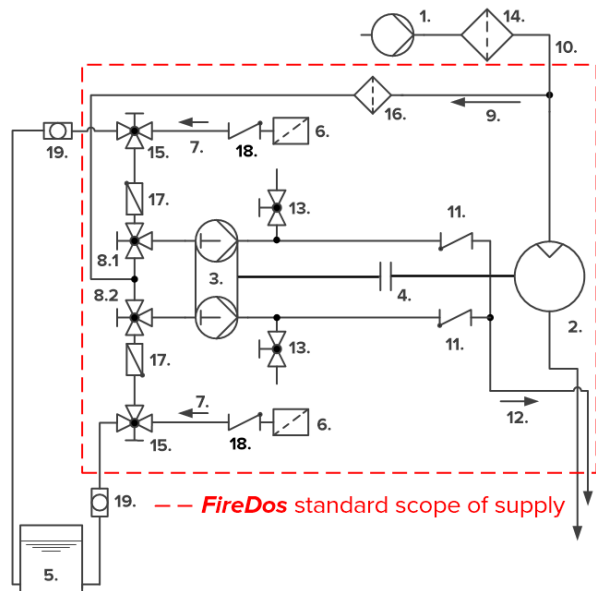
Water motor	Aluminium casting G-ALSi7Mg HC-coated, aluminium bronze, stainless steel V2A, POM, PVDF, NBR, FPM
Prop. pump	Stainless steel V4A, POM, FPM, ceramics, aluminium bronze
Pipework	Stainless steel V2A and V4A, PTFE, FPM, nickel-plated brass

■ 4. FLOW DIAGRAM.

Proportioning rate 0.5% / 1% / 3% or 6%



Proportioning rate 3% + 3%

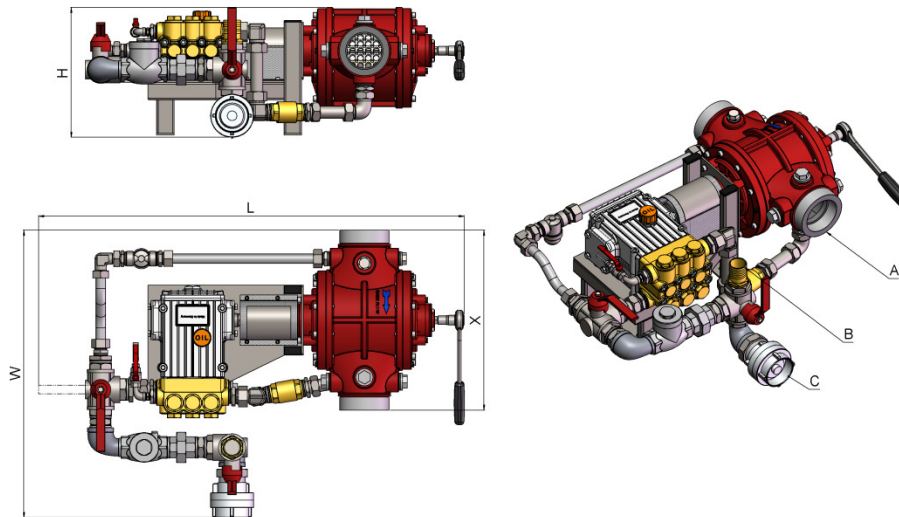


1. Extinguishing water supply
2. Water motor
3. Proportioning pump
4. Coupling
5. Foam agent supply from vehicle
6. Foot filter
7. External suction line
8. 3-way ball valve "Flushing/Priming"
- 8.1 "Flushing/Priming" pump head I
- 8.2 "Flushing/Priming" pump head II
9. Flushing line

10. Extinguishing water line
11. Check valve in the proportioning line
12. Pressure/proportioning line
13. Air bleed valve
14. Filter in the extinguishing water line
15. 3-way ball valve "Internal/external priming"
16. Filter in the flushing line
17. Non-return flap in the suction line
18. Foot valve
19. Ventilation/Filling of the suction line *

*) Necessary only with a non-constant course of the suction line

5. EXAMPLE FIGURE / DIMENSIONS.



Proportioning rate	0.5%	1%	3%	6%	3% + 3%
Connection water motor A	OPTL.: Thread 4" male thread BSP, 3" female thread BSP (standard) Flange acc. to DIN 2566, DN100 PN16 Flange acc. to ANSI B16.5, 4"-150 lbs/in ² Flange acc. to JIS B2220 20K-100				
Connection suction line					
internal priming B	Hose d _i = 20 mm	Hose d _i = 32 mm	Hose d _i = 38 mm	Hose d _i = 50 mm	2x Hose d _i = 38 mm
external priming C	Storz 25= D-DS	Storz 52= C-DS	Storz 52= C-DS	Storz 52= C-DS	2x Storz 52= C-DS
Length L³	950 mm	950 mm	1050 mm	1100 mm	1500 mm
Height H³	300 mm	300 mm	300 mm	460 mm	580 mm
Width W³	550 mm	575 mm	660 mm	750 mm	700 mm
Installation length in the pipework X⁴	Thread 410 mm Threaded flange 422 mm				

All figures are approximate only and depend on the particular version/equipment options.

3) Based upon a proportioner without accessories. Further accessories may increase the space required for installation.

4) Installation length depending on connection of water motor A.

Please allow sufficient accessibility of the proportioner for maintenance work.

6. MANUFACTURER.

FireDos GmbH, Auf der Kaulbahn 6, 61200 Wölfersheim, Germany

Phone +49 (0) 6036 9796-0, Email: info@firedos.de

We reserve the right to make modifications at any time.