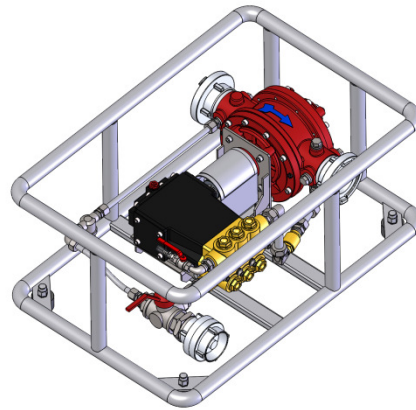


■ DATA SHEET PROPORTIONER FD1000 FOR MOBILE USE.



■ 1. TECHNICAL DATA.

Proportioning rate	0.5%	1%	3%	6%	3% + 3%
Flow directions of water motor	Horizontal: "left → right"				
Min. water flow rate ¹	100 l/min	100 l/min	100 l/min	120 l/min	150 l/min
Max. water flow rate	1000 l/min				
Operating temperature	5 °C – 50 °C				
Max. operating pressure	16 bar				
Weight ²	50 kg	50 kg	57 kg	62 kg	95 kg

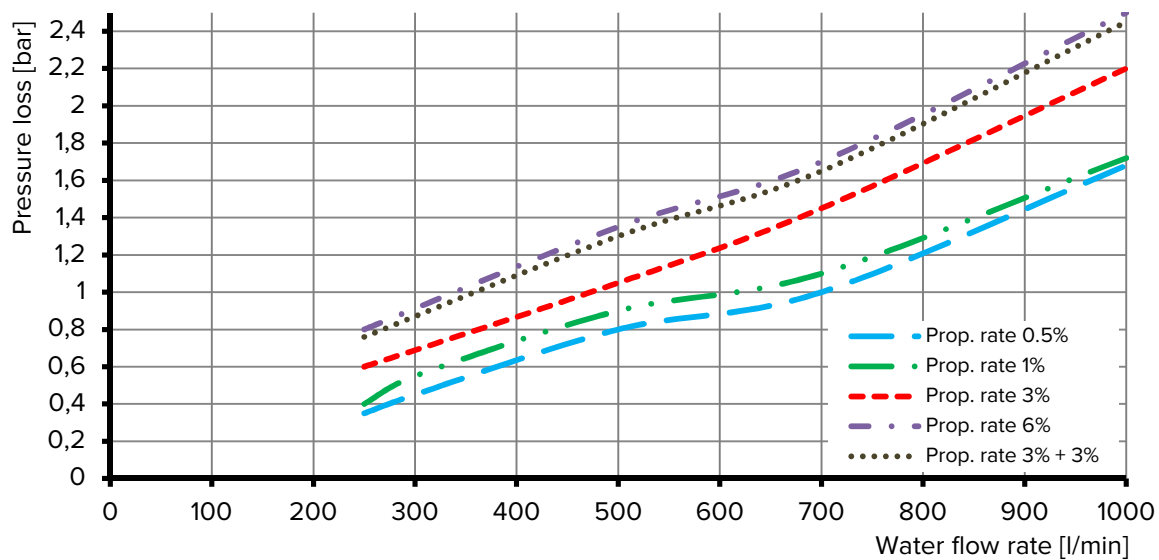
1) Proportioning starts even at a lower water flow rate. The nominal proportioning rate is achieved when reaching the specified figure.

2) Weight indication is based upon a proportioner without accessories. Further accessories installed at the proportioner will increase the specified weight. Weight indications do not consider extinguishing water or foam agent.



■ 2. PRESSURE LOSS.

The actual pressure loss may slightly vary, depending on the operating conditions.

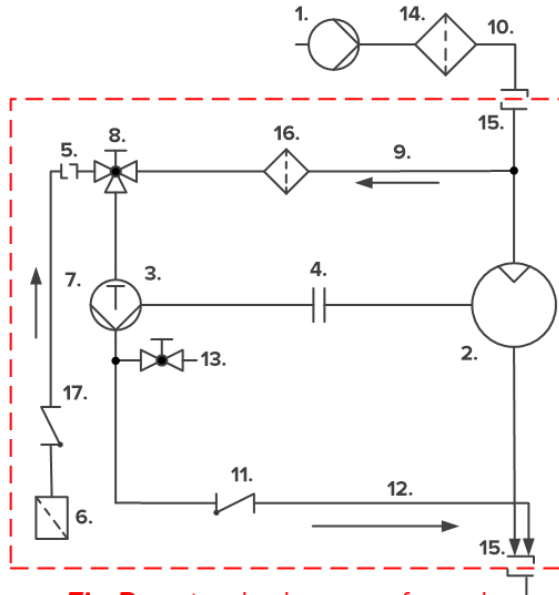


■ 3. MATERIALS.

Water motor	Aluminium casting G-AlSi7Mg HC-coated, AlMgSi1 anodised, stainless steel V2A, POM, PVDF, NBR, FPM
Prop. pump	Stainless steel V4A, POM, FPM, ceramics, aluminium bronze
Pipework	Stainless steel V2A and V4A, PTFE, FPM, nickel-plated brass

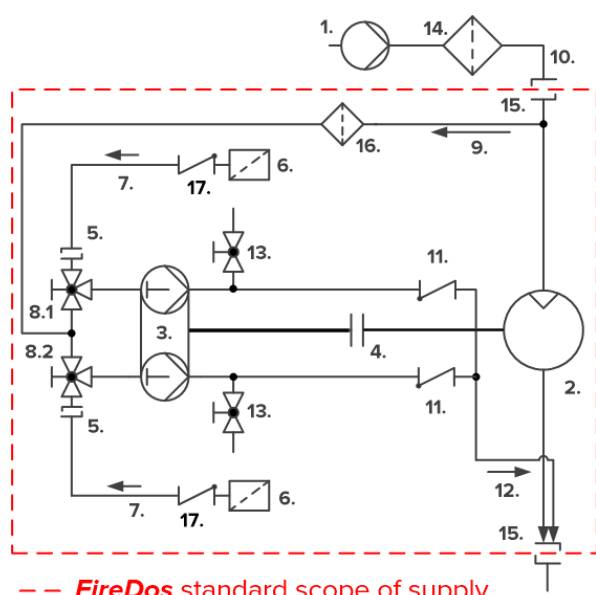
■ 4. FLOW DIAGRAM.

Proportioning rate 0.5% / 1% / 3% or 6%



-- FireDos standard scope of supply

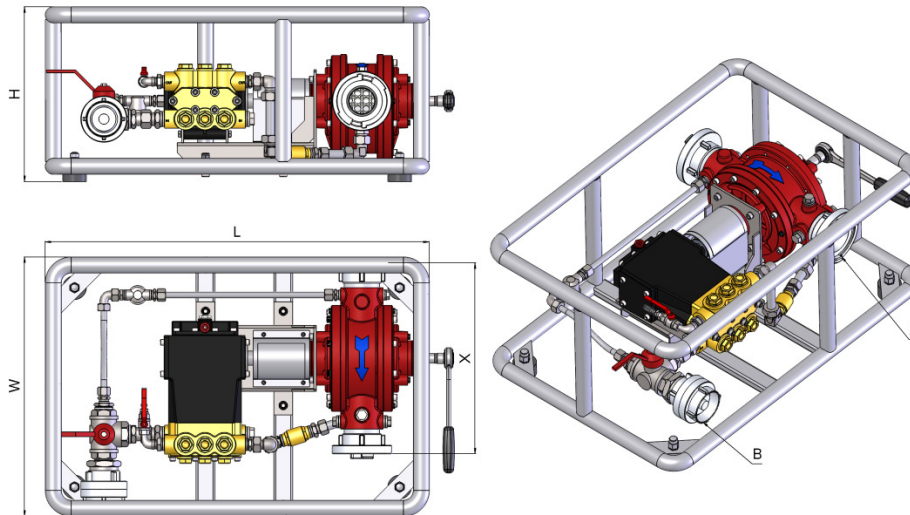
Proportioning rate 3% + 3%



-- FireDos standard scope of supply

- | | |
|--|---|
| <ul style="list-style-type: none"> 1. Extinguishing water supply 2. Water motor 3. Proportioning pump 4. Coupling 5. Quick coupling at suction line 6. Foot filter 7. Suction line 8. 3-way ball valve "Flushing/Priming" 8.1 "Flushing/Priming" pump head I 8.2 "Flushing/Priming" pump head II | <ul style="list-style-type: none"> 9. Flushing line 10. Extinguishing water line 11. Check valve in the proportioning line 12. Pressure/proportioning line 13. Air bleed valve 14. Filter in the extinguishing water line 15. Quick coupling at water motor 16. Filter in the flushing line 17. Foot valve |
|--|---|

■ 5. EXAMPLE FIGURE / DIMENSIONS.



Proportioning rate	0.5%	1%	3%	6%	3% + 3%
Connection water motor A	Optionally: Storz 75=B-DS Thread 2 1/2" male thread, 2" female thread BSP				
Connection suction line B	Storz 25=D-DS	Storz 52=C-DS	Storz 52=C-DS	Storz 52=C-DS	2x Storz 25=D-DS
Length L ³	800 mm	800 mm	815 mm	1070 mm	950 mm
Height H ³	350 mm	350 mm	370 mm	420 mm	560 mm
Width W ³	550 mm	470 mm	550 mm	410 mm	630 mm
Installation length in the pipework X ⁴	Storz 410 mm Thread 360 mm				

All figures are approximate only and depend on the particular version/equipment options.

3) Further accessories to the proportioner may increase the space required for installation.

4) Installation length depending on connection of water motor A.

■ 6. MANUFACTURER.

FireDos GmbH, Auf der Kaulbahn 6, 61200 Wölfersheim, Germany
Phone +49 (0) 6036 9796-0, Email: info@firedos.de

We reserve the right to make modifications at any time.