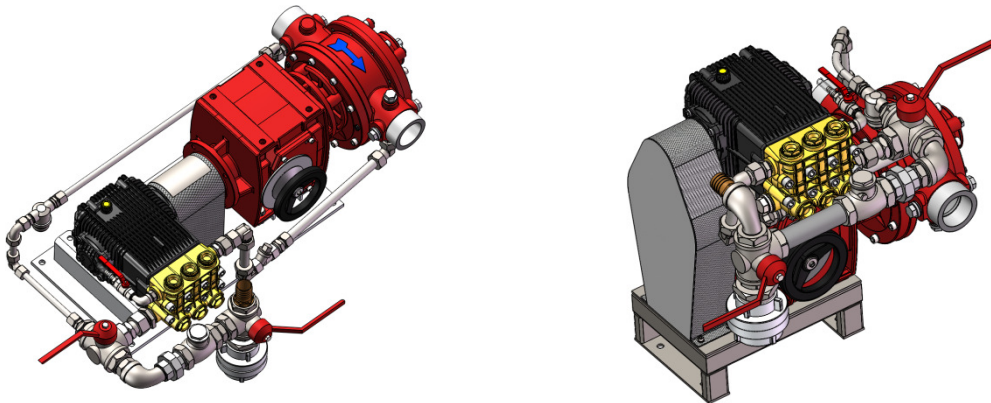


■ DATA SHEET PROPORTIONER FD1000 FOR FIRE TRUCKS.



■ 1. TECHNICAL DATA.

Proportioning rate	0.05 – 0.5%	0.1 – 1%	0.3 – 3%	0.6 – 6%
Flow directions of water motor	Horizontal: “left → right” or “right → left” Vertical: “top → bottom” or “bottom → top”			
Min. water flow rate ¹	100 l/min	100 l/min	100 l/min	120 l/min
Min. water flow rate with flow reduction ¹	40 l/min	40 l/min	40 l/min	40 l/min
Max. water flow rate	1000 l/min			
Operating temperature	5 °C – 50 °C			
Max. operating pressure	16 bar			
Weight ²				
Stretched version	50 kg	70 kg	71 kg	81 kg
Compact version	50 kg	70 kg	71 kg	85 kg

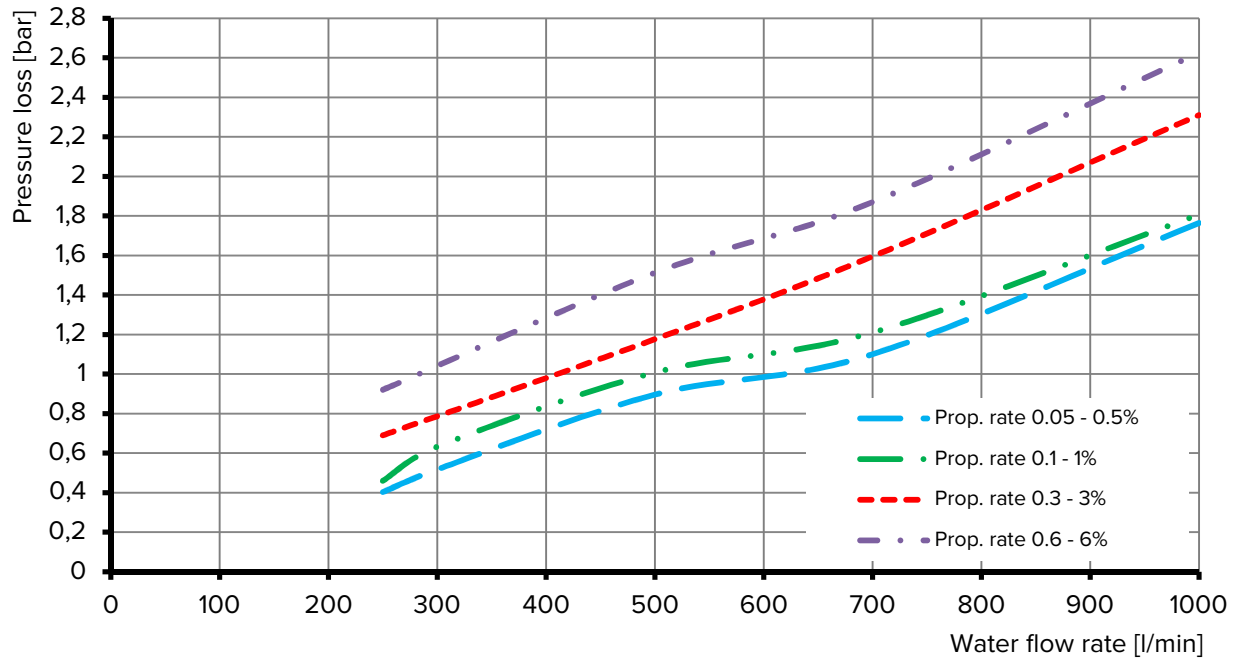
1) Proportioning starts even at a lower water flow rate. The nominal proportioning rate is achieved when reaching the specified figure.

2) Weight indication is based upon a proportioner without accessories. Further accessories installed at the proportioner will increase the specified weight.
Weight indications do not consider extinguishing water or foam agent.



2. PRESSURE LOSS.

The actual pressure loss may slightly vary, depending on the operating conditions.

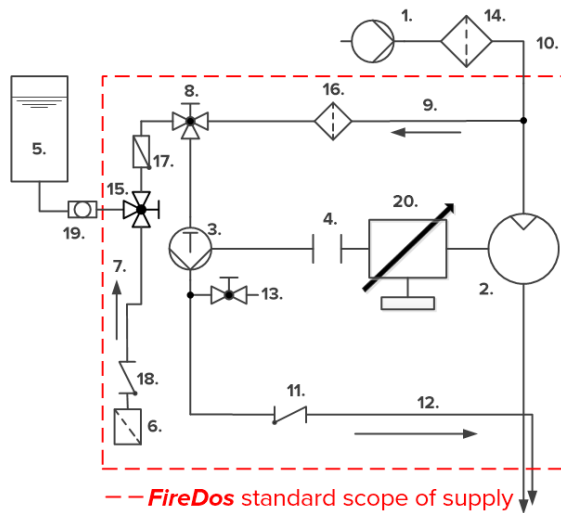


3. MATERIALS.

Water motor	Aluminium casting G-ALSi7Mg HC-coated, AlMgSi1 anodised, stainless steel V2A, POM, PVDF, NBR, FPM
Prop. pump	Stainless steel V4A, POM, FPM, ceramics, aluminium bronze
Pipework	Stainless steel V2A and V4A, PTFE, FPM, nickel-plated brass

■ 4. FLOW DIAGRAM.

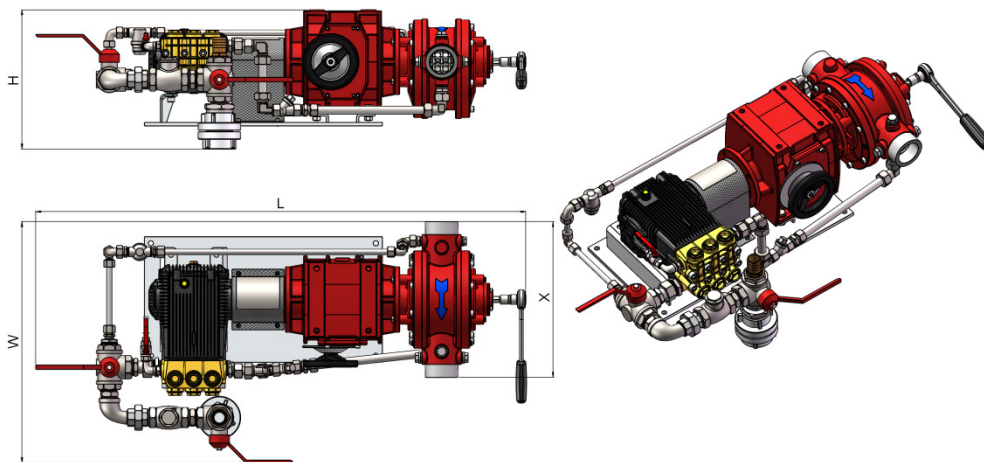
Proportioning rate 0.05 – 0.5% / 0.1 – 1% / 0.3 – 3% or 0.6 – 6%



- | | |
|--|--|
| 1. Extinguishing water supply | 11. Check valve in the proportioning line |
| 2. Water motor | 12. Pressure/proportioning line |
| 3. Proportioning pump | 13. Air bleed valve |
| 4. Coupling | 14. Filter in the extinguishing water line |
| 5. Foam agent supply from vehicle | 15. 3-way ball valve "Internal/external priming" |
| 6. Foot filter | 16. Filter in the flushing line |
| 7. External suction line | 17. Non-return flap in the suction line |
| 8. 3-way ball valve "Flushing/Priming" | 18. Foot valve |
| 9. Flushing line | 19. Ventilation/Filling of the suction line * |
| 10. Extinguishing water line | 20. Control gear |

*) Necessary only with a non-constant course of the suction line

■ 5. EXAMPLE FIGURE / DIMENSIONS STRETCHED VERSION.



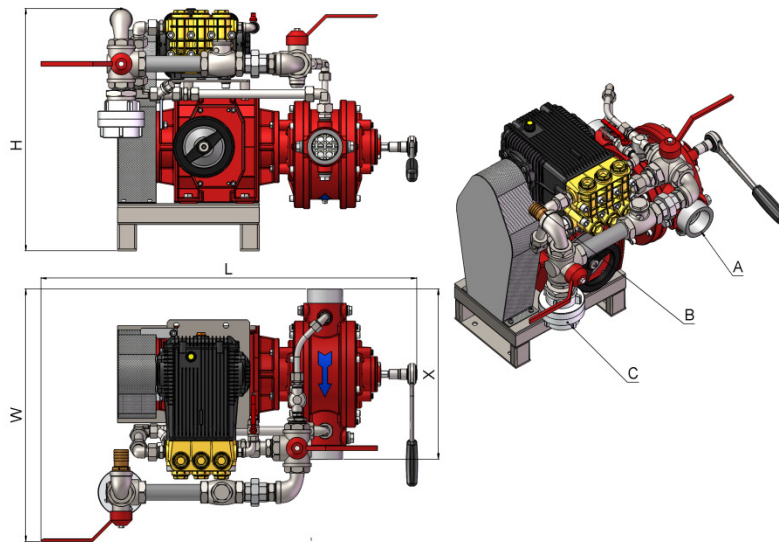
Proportioning rate	0.05 – 0.5%	0.1 – 1%	0.3 – 3%	0.6 – 6%
Connection water motor A	OPTL.: Thread 2 ½" male thread BSP, 2" female thread BSP (standard) Flange acc. to DIN 2566, DN65 PN16 Flange acc. to ANSI B16.5, 2 ½"-150 lbs/in ² Flange acc. to JIS B2220 20K-65			
Connection suction line				
internal priming B	Hose d _i = 20 mm	Hose d _i = 32 mm	Hose d _i = 32 mm	Hose d _i = 38 mm
external priming C	Storz 25=D-DS	Storz 52=C-DS	Storz 52=C-DS	Storz 52=C-DS
Length L³	1150 mm	1150 mm	1200 mm	1250 mm
Height H³	275 mm	350 mm	330 mm	380 mm
Width W³	450 mm	450 mm	575 mm	650 mm
Installation length in the pipework X⁴	Thread 360 mm Threaded flange acc. to DIN 370 mm Threaded flange acc. to ANSI 364 mm			

3) Based upon a proportioner without accessories. Further accessories may increase the space required for installation.

4) Installation length depending on connection of water motor A.

Please allow sufficient accessibility of the proportioner for maintenance work.

6. EXAMPLE FIGURE / DIMENSIONS COMPACT VERSION.



Proportioning rate	0.05 – 0.5%	0.1 – 1%	0.3 – 3%	0.6 – 6%
Connection water motor A	OPTL.: Thread 2 ½" male thread BSP, 2" female thread BSP (standard) Flange acc. to DIN 2566, DN65 PN16 Flange acc. to ANSI B16.5, 2 ½"-150 lbs/in ² Flange acc. to JIS B2220 20K-65			
Connection suction line				
internal priming B	Hose d _i = 20 mm	Hose d _i = 32 mm	Hose d _i = 32 mm	Hose d _i = 38 mm
external priming C	Storz 25=D-DS	Storz 52=C-DS	Storz 52=C-DS	Storz 52=C-DS
Length L ⁵	800 mm	800 mm	825 mm	850 mm
Height H ⁵	500 mm	500 mm	550 mm	550 mm
Width W ⁵	500 mm	500 mm	550 mm	600 mm
Installation length in the pipework X ⁶	Thread 360 mm Threaded flange acc. to DIN 370 mm Threaded flange acc. to ANSI 364 mm			

All figures are approximate only and depend on the particular version/equipment options.

5) Based upon a proportioner without accessories. Further accessories may increase the space required for installation.

6) Installation length depending on connection of water motor A.

Please allow sufficient accessibility of the proportioner for maintenance work.

7. MANUFACTURER.

FireDos GmbH, Auf der Kaulbahn 6, 61200 Wölfersheim, Germany

Phone +49 (0) 6036 9796-0, Email: info@firedos.de

We reserve the right to make modifications at any time.