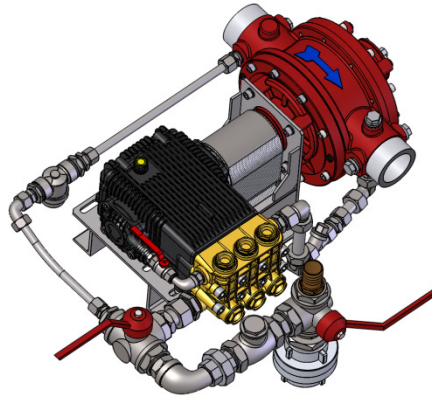


■ DATA SHEET PROPORTIONER FD1000 FOR FIRE TRUCKS.



■ 1. TECHNICAL DATA.

Proportioning rate	0.5%	1%	3%	6%	3% + 3%
Flow directions of water motor	Horizontal: "left → right" or "right → left" Vertical: "top → bottom" or "bottom → top"				
Min. water flow rate ¹	100 l/min	100 l/min	100 l/min	120 l/min	150 l/min
Min. water flow rate with flow reduction ¹	40 l/min	40 l/min	40 l/min	40 l/min	50 l/min
Max. water flow rate	1000 l/min				
Operating temperature	5 °C – 50 °C				
Max. operating pressure	16 bar				
Weight ²	32 kg	35 kg	55 kg	55 kg	85 kg

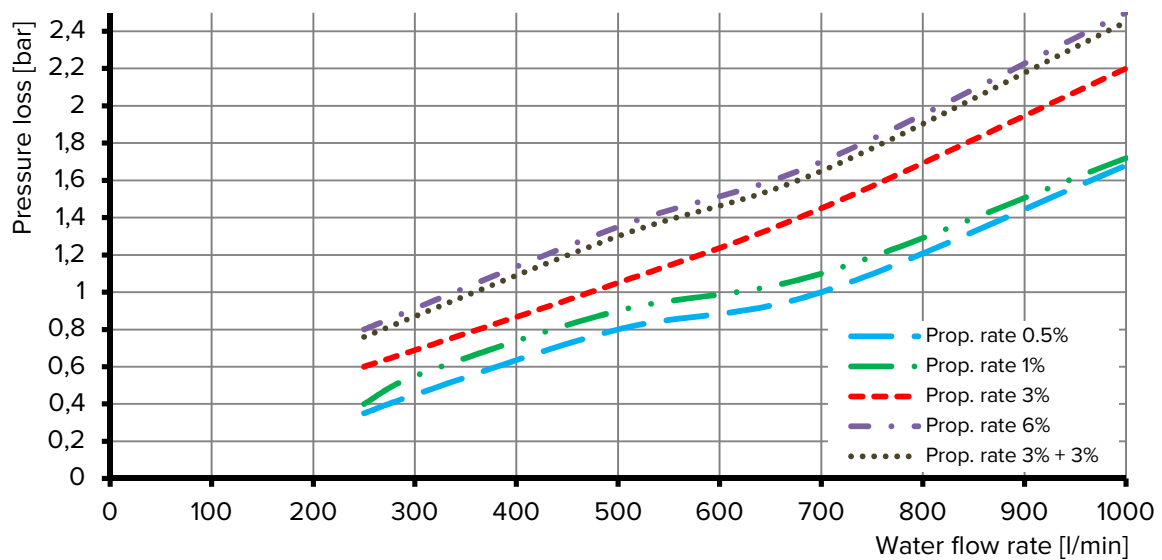
1) Proportioning starts even at a lower water flow rate. The nominal proportioning rate is achieved when reaching the specified figure.

2) Weight indication is based upon a proportioner without accessories. Further accessories installed at the proportioner will increase the specified weight. Weight indications do not consider extinguishing water or foam agent.



■ 2. PRESSURE LOSS.

The actual pressure loss may slightly vary, depending on the operating conditions.

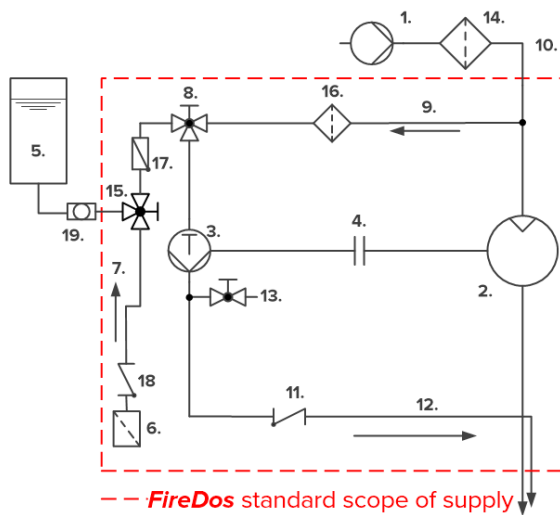


■ 3. MATERIALS.

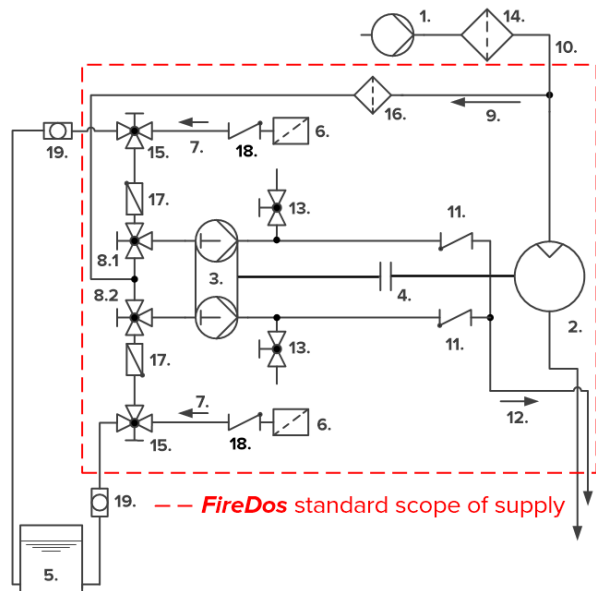
Water motor	Aluminium casting G-ALSi7Mg HC-coated, AlMgSi1 anodised, stainless steel V2A, POM, PVDF, NBR, FPM
Prop. pump	Stainless steel V4A, POM, FPM, ceramics, aluminium bronze
Pipework	Stainless steel V2A and V4A, PTFE, FPM, nickel-plated brass

■ 4. FLOW DIAGRAM.

Proportioning rate 0.5% / 1% / 3% or 6%



Proportioning rate 3% + 3%

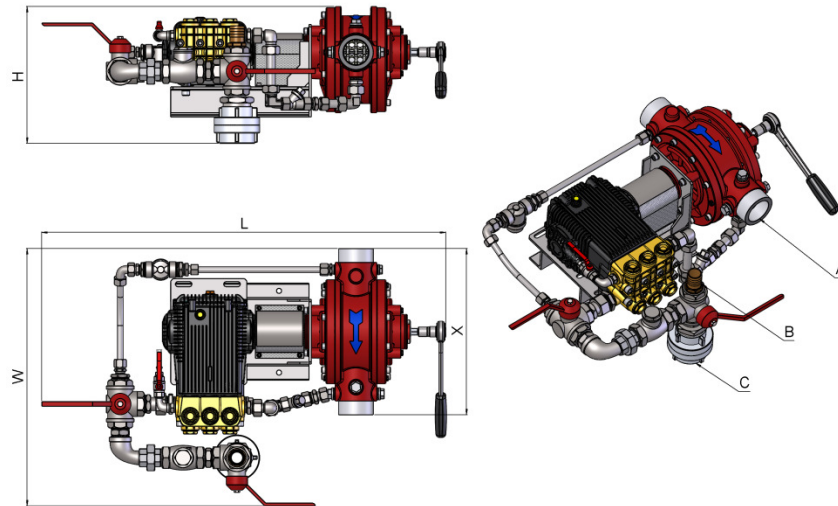


1. Extinguishing water supply
2. Water motor
3. Proportioning pump
4. Coupling
5. Foam agent supply from vehicle
6. Foot filter
7. External suction line
8. 3-way ball valve "Flushing/Priming"
- 8.1 "Flushing/Priming" pump head I
- 8.2 "Flushing/Priming" pump head II
9. Flushing line

10. Extinguishing water line
11. Check valve in the proportioning line
12. Pressure/proportioning line
13. Air bleed valve
14. Filter in the extinguishing water line
15. 3-way ball valve "Internal/external priming"
16. Filter in the flushing line
17. Non-return flap in the suction line
18. Foot valve
19. Ventilation/Filling of the suction line *

*) Necessary only with a non-constant course of the suction line

■ 5. EXAMPLE FIGURE / DIMENSIONS.



Proportioning rate	0.5%	1%	3%	6%	3% + 3%
Connection water motor A	OPTL.: Thread 2 ½" male thread BSP, 2" female thread BSP (standard) Flange acc. to DIN 2566, DN65 PN16 Flange acc. to ANSI B16.5, 2 ½"-150 lbs/in ² Flange acc. to JIS B2220 20K-65				
Connection suction line					
internal priming B	Hose d _i = 20 mm	Hose d _i = 32 mm	Hose d _i = 32 mm	Hose d _i = 38 mm	2x Hose d _i = 32 mm
external priming C	Storz 25= D-DS	Storz 52= C-DS	Storz 52= C-DS	Storz 52= C-DS	2x Storz 25= D-DS
Length L³	850 mm	850 mm	900 mm	950 mm	1200 mm
Height H³	275 mm	300 mm	300 mm	320 mm	570 mm
Width W³	450 mm	550 mm	570 mm	620 mm	760 mm
Installation length in the pipework X⁴	Thread 360 mm Threaded flange acc. to DIN 370 mm Threaded flange acc. to ANSI 364 mm				

All figures are approximate only and depend on the particular version/equipment options.

3) Based upon a proportioner without accessories. Further accessories may increase the space required for installation.

4) Installation length depending on connection of water motor A.

Please allow sufficient accessibility of the proportioner for maintenance work.

■ 6. MANUFACTURER.

FireDos GmbH, Auf der Kaulbahn 6, 61200 Wölfersheim, Germany
Phone +49 (0) 6036 9796-0, Email: info@firedos.de

We reserve the right to make modifications at any time.