

■ **DATA SHEET MONITOR M1**  
WITH REMOTE-CONTROLLED  
MULTI-PURPOSE NOZZLE (MPN-DC).

■ **1. GENERAL TECHNICAL DATA.**

Type series	<b>M1</b>
Max. water flow rate	2000 l/min
Connection	Thread BSP G 2½"
Max. op. pressure	16 bar



**■ 2. SPECIFIC DATA OF THE DRIVE TYPE.**

Direct-current drive	<b>M1</b>
Corresponding nozzle	MPN-DC
Swivelling range	Horizontally $\pm 165^\circ$ / vertically $-20^\circ$ up to $+80^\circ$
Swivelling speed	Horizontally $11^\circ/\text{s}$ // vertically $11^\circ/\text{s}$
Operating voltage	24 V DC
Current consumption per drive	4 A
Protection class	IP 65
Operating temperature	$-25^\circ\text{C}$ to $+60^\circ\text{C}$
Position indication	4 – 20 mA

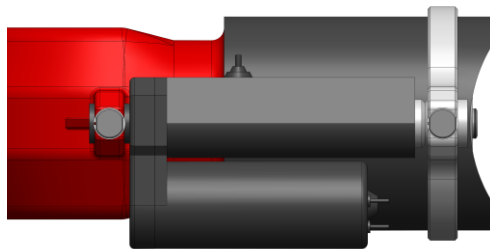
**■ 3. ELECTRICAL DATA OF THE NOZZLE.**

Direct-current drive	<b>MPN-DC</b>
Operating voltage	24 V DC
Current consumption	1.5 A
Protection class	IP 65

## 4. REMOTE-CONTROLLED MULTI PURPOSE NOZZLE (MPN-DC).

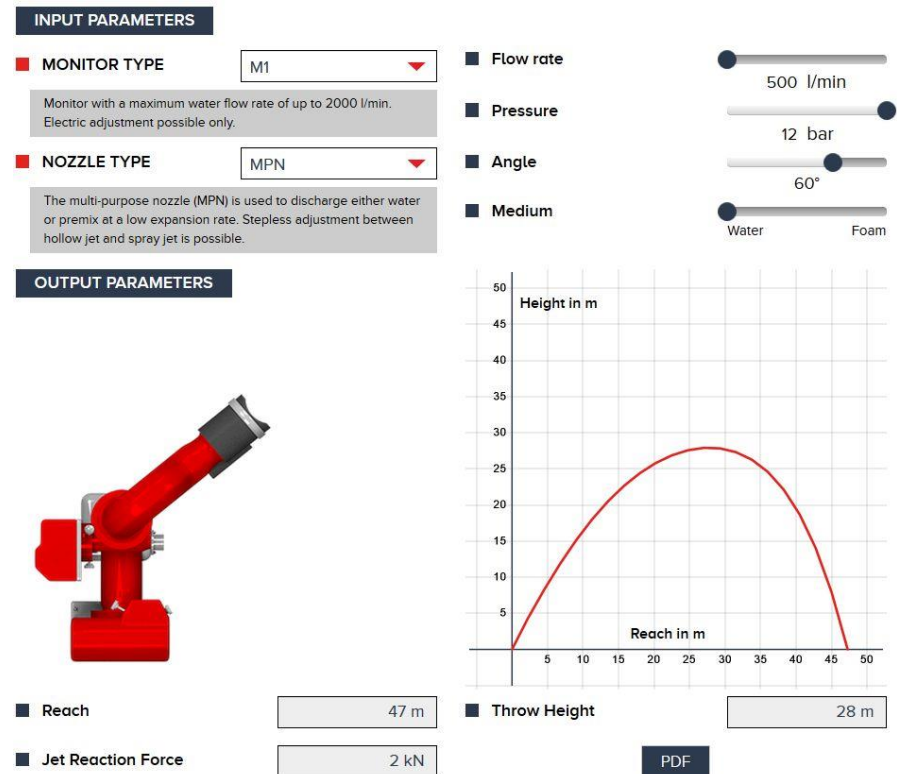
The multi-purpose nozzle (“Multi Purpose Nozzle” = MPN) is used for the discharge of water or premix at a low foam expansion rate. The manual stepless adjustment between hollow jet and spray jet is possible also during operation, using the 24 V direct-current linear drive (-DC). The maximum spray angle is 100°.

The nozzle is factory-set to a fixed extinguishing agent flow rate in accordance with the available system pressure. If requested, this setting can be adjusted later on.

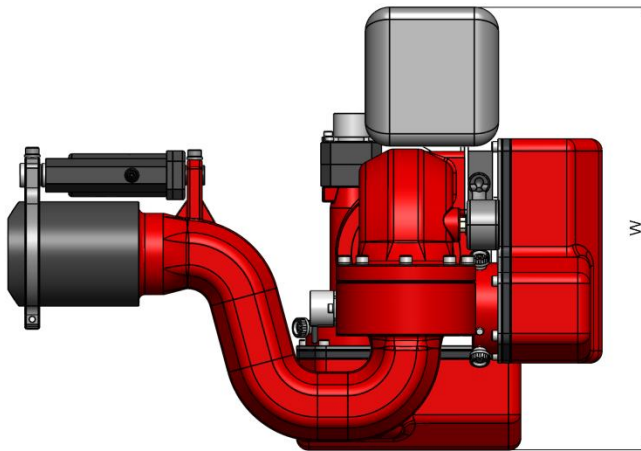
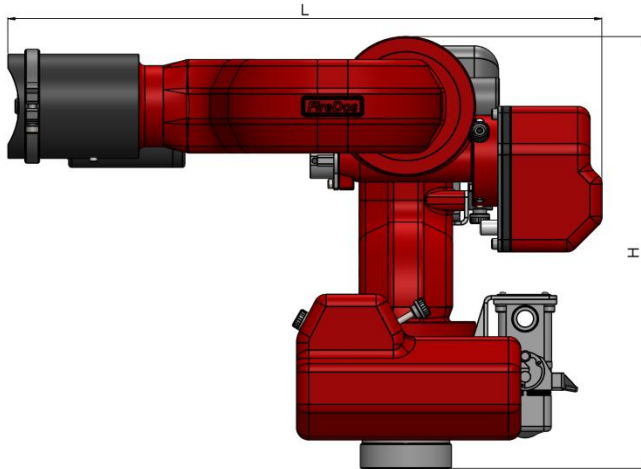


## 5. REACH AND REACTION FORCE.

Using the app at [www.firedos.com/monitorapp](http://www.firedos.com/monitorapp), you can determine the reach curve and the reaction forces depending on your operating conditions.



## ■ 6. DIMENSIONS.



	Length L	Width W	Height H	Weight
M1 / MPN-DC	490 mm	380 mm	360 mm	15 kg

## ■ 7. MATERIALS.

- Cast aluminium AlSi7Mg 0.3 with HC and powder coating
- AlMgSi1 with HC and powder coating
- Stainless steel V2A and V4A
- NBR
- Powder coating Red (RAL 3020) as a standard

## ■ 8. SPECIAL EQUIPMENT OPTIONS.

- Controls
- Swivelling unit to move between work and rest position

## ■ 9. MANUFACTURER.

**FireDos** GmbH, Auf der Kaulbahn 6, 61200 Woelfersheim, Germany  
Phone +49 (0) 6036 9796-0, Email: info@firedos.de

We reserve the right to make modifications at any time.  
All figures are approximate and subject to the particular version/equipment.